

UNIT: mm

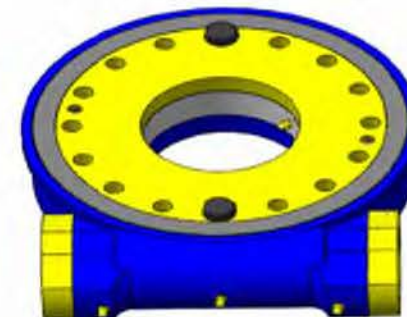
TYPE	A	B	C	D	E	F	G	H	I	J
12M	121 ^{+0.15} ₀	4 ^{+0.15} ₀	13.8 ^{+0.15} ₀	23	-3	4.5				27.5
20M	204 ^{+0.15} ₀	6 ^{+0.15} ₀	22.8 ^{+0.15} ₀	30	12	4.5				27.5
25M	254 ^{+0.15} ₀	8 ^{+0.15} ₀	28.3 ^{+0.15} ₀	45	21.2	4.5				27.5
B							25.4	21.2	4.5	27.5

DESIGNED BY					
CHECKED BY					
APPROVED BY					
ALL PROPRIETARY RIGHTS IN THE SUBJECT MATTER HEREOF ARE RESERVED, AND NO PERMISSION IS GRANTED TO REPRODUCE THIS PRINT IN WHOLE OR IN PART, OR TO DISCLOSE ANY OF THE INFORMATION TO OTHERS.			WEIGHT	SCALE	9" SLEWING DRIVE
			48Kg	NTS	
SYMBOL ISO	SIZE	A3	SHEET	1/1	KE9C-61(M)-R(C)
			THE TOLERANCE NOT MENTIONED IS REFERRED TO ISO 2768-M-CASTING TOLERANCE ISO 8062-CT10		

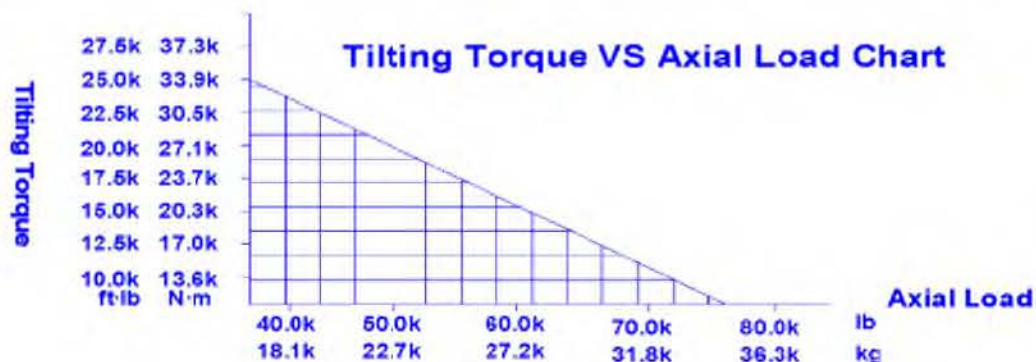
SLEWING DRIVES PERFORMANCE DATA

Model Code : KE9C-61(M)-R(C)

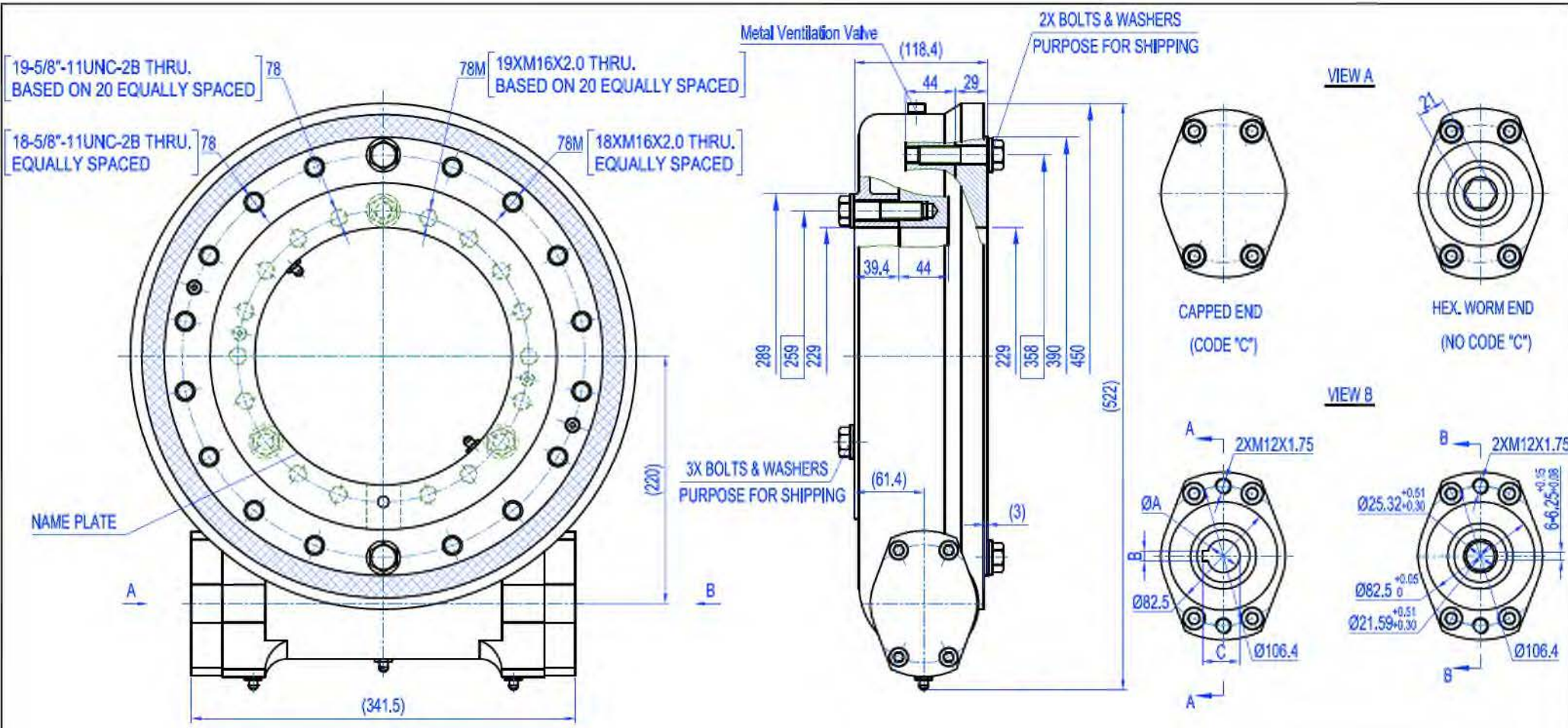
Slewing Drive Ratio	61:1
Rotating Output Rated Speed	-
Efficiency	43%
International Protection (IP)	66
Motor Temperature	-
Worm Drive Temperature	- 20°C to +120°C
Traceability	CEDS
Torsion Stiffness	1,444Nm/mRad
Bending Stiffness	1,701Nm/mRad



Slewing Drive Loading Data	HC Type				HB Type				HQ Type				HA Type			
Normal Output Torque	2,240	N·m	1,662	ft·lb	2,688	N·m	1,983	ft·lb	3,584	N·m	2,644	ft·lb	4,480	N·m	3,304	ft·lb
Max. Output Torque(3 sec.)	4,480	N·m	3,304	ft·lb	5,376	N·m	3,965	ft·lb	7,168	N·m	5,287	ft·lb	8,960	N·m	6,609	ft·lb
Backwards Holding Torque	38,710	N·m	28,552	ft·lb	38,710	N·m	28,552	ft·lb	38,710	N·m	28,552	ft·lb	38,710	N·m	28,552	ft·lb
Tilting Torque	33,900	N·m	25,005	ft·lb	33,900	N·m	25,005	ft·lb	33,900	N·m	25,005	ft·lb	33,900	N·m	25,005	ft·lb
Static Radial Rating	134.98	kN	30,344	lb	134.98	kN	30,344	lb	134.98	kN	30,344	lb	134.98	kN	30,344	lb
Static Axial Rating	337.44	kN	75,857	lb	337.44	kN	75,857	lb	337.44	kN	75,857	lb	337.44	kN	75,857	lb
Dynamic Radial Rating	70.86	kN	15,929	lb	70.86	kN	15,929	lb	70.86	kN	15,929	lb	70.86	kN	15,929	lb
Dynamic Axial Rating	80.99	kN	18,207	lb	80.99	kN	18,207	lb	80.99	kN	18,207	lb	80.99	kN	18,207	lb

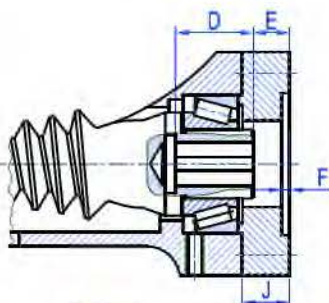


DESIGNED BY						
CHECKED BY						
APPROVED BY						
<small>ALL PROPRIETARY RIGHTS IN THE SUBJECT MATTER HEREOF ARE RESERVED, AND NO PERMISSION IS GRANTED TO REPRODUCE THIS PRINT IN WHOLE OR IN PART, OR TO DISCLOSE ANY OF THE INFORMATION TO OTHERS.</small>		WEIGHT	SCALE	9" SLEWING DRIVE		
			NTS			
SYMBOLS ISO	SIZE	A4	SHEET	1/1	KE9C-61(M)-R(C)	REV
						A

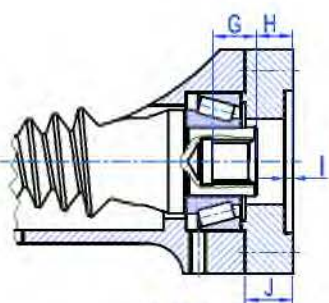


Section A-A

Section B-B



TYPE: 12M, 20M, 25M



TYPE: B

UNJT: mm

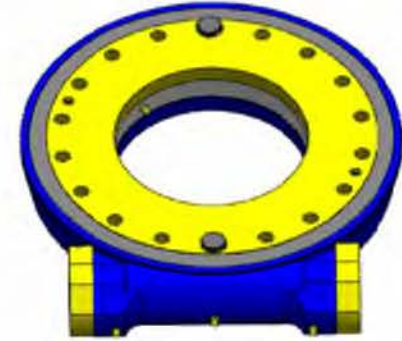
TYPE	A	B	C	D	E	F	G	H	I	J
12M	12 ^{+0.012}	4 ^{+0.012}	13.8 ^{+0.012}	23	-3	4.5				27.5
20M	20 ^{+0.012}	6 ^{+0.012}	22.8 ^{+0.012}	30	12	4.5				27.5
25M	25 ^{+0.012}	8 ^{+0.012}	28.3 ^{+0.012}	45	21.2	4.5				27.5
B							25.4	21.2	4.5	27.5

DESIGNED BY						
CHECKED BY						
APPROVED BY						
ALL PROPRIETARY RIGHTS IN THE SUBJECT MATTER HEREOF ARE RESERVED, AND NO PERMISSION IS GRANTED TO REPRODUCE THIS PRINT IN WHOLE OR IN PART, OR TO DISCLOSE ANY OF THE INFORMATION TO OTHERS.				WEIGHT	SCALE	12" SLEWING DRIVE
				50Kg	NTS	
SYMBOL ISO	SIZE	A3	SHEET	1/1	KE12C-78(M)-R(C)	REV A
				THE TOLERANCE NOT MENTIONED IS REFERRED TO ISO 2768-L-CASTING TOLERANCE ISO 8052-CT10		

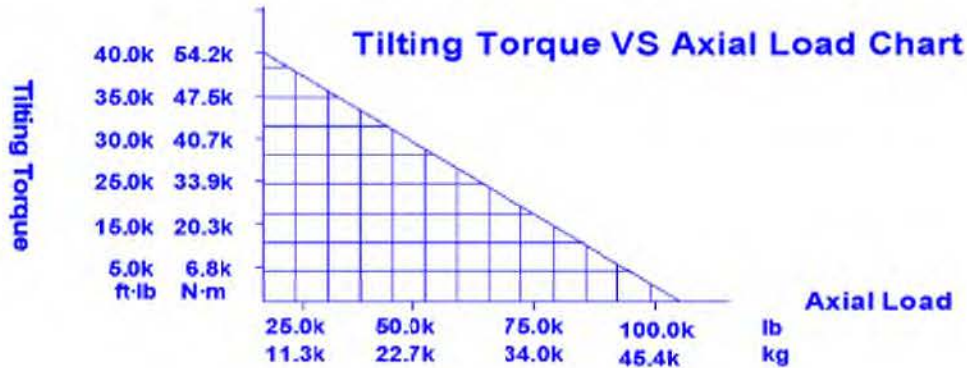
SLEWING DRIVES PERFORMANCE DATA

Model Code : KE12C-78(M)-R(C)

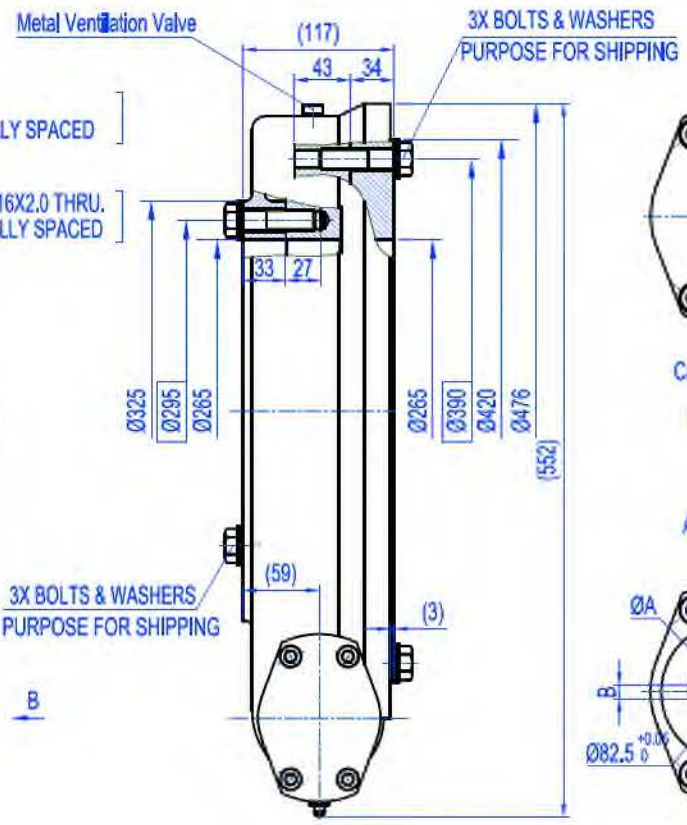
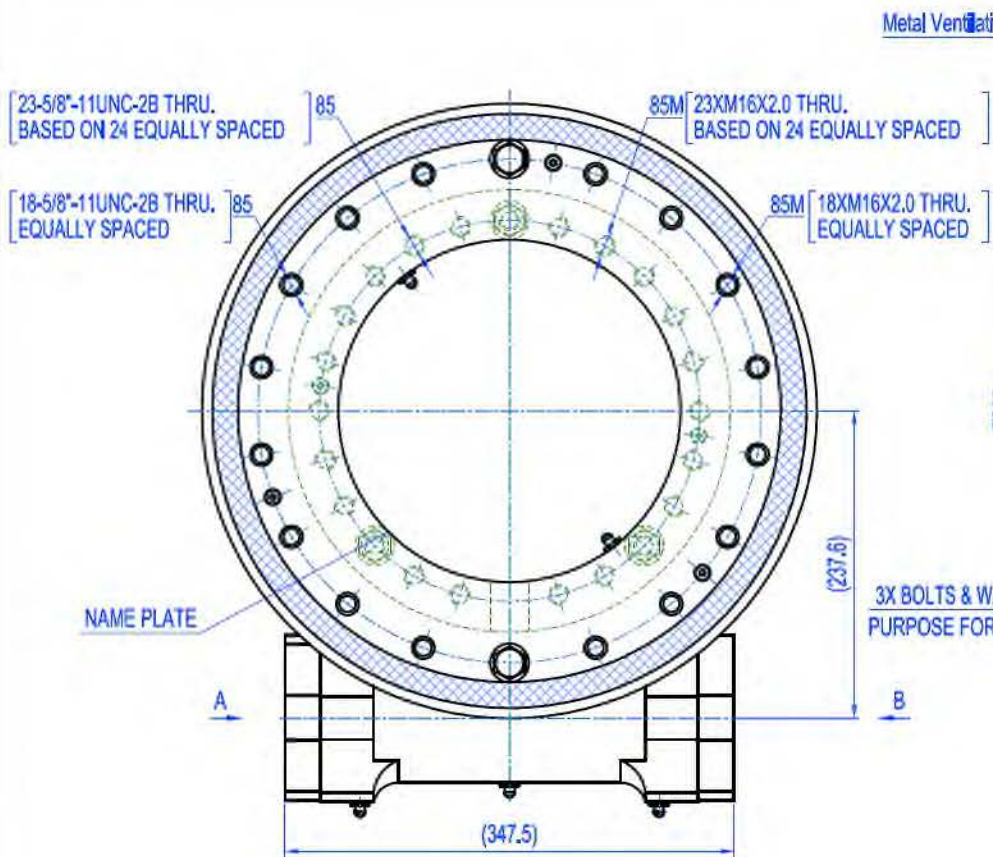
Slewing Drive Ratio	78:1
Rotating Output Rated Speed	-
Efficiency	43%
International Protection (IP)	66
Motor Temperature	-
Worm Drive Temperature	- 20°C to + 120°C
Traceability	CEDS
Torsion Stiffness	1,925Nm/mRad
Bending Stiffness	2,218Nm/mRad



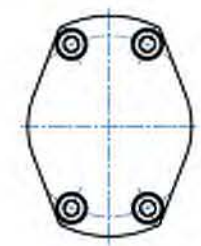
Slewing Drive Loading Data	HC Type				HB Type				HQ Type				HA Type			
		N·m	ft·lb			N·m	ft·lb			N·m	ft·lb			N·m	ft·lb	
Normal Output Torque	2,898		2,137		3,477		2,565		4,636		3,420		5,795		4,274	
Max. Output Torque(3 sec.)	5,795		4,274		6,964		5,129		9,272		6,839		11,590		8,549	
Backwards Holding Torque	43,000		31,717		43,000		31,717		43,000		31,717		43,000		31,717	
Tilting Torque	54,240		40,007		54,240		40,007		54,240		40,007		54,240		40,007	
Static Radial Rating	190.30	kN	42,779	lb	190.30	kN	42,779	lb	190.30	kN	42,779	lb	190.30	kN	42,779	lb
Static Axial Rating	475.08	kN	106,798	lb	475.08	kN	106,798	lb	475.08	kN	106,798	lb	475.08	kN	106,798	lb
Dynamic Radial Rating	99.77	kN	22,428	lb	99.77	kN	22,428	lb	99.77	kN	22,428	lb	99.77	kN	22,428	lb
Dynamic Axial Rating	114.02	kN	25,632	lb	114.02	kN	25,632	lb	114.02	kN	25,632	lb	114.02	kN	25,632	lb



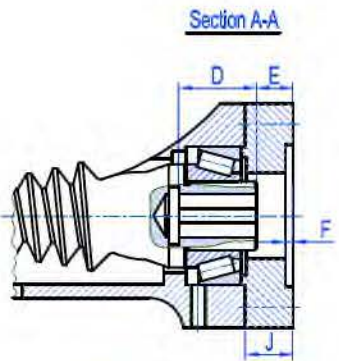
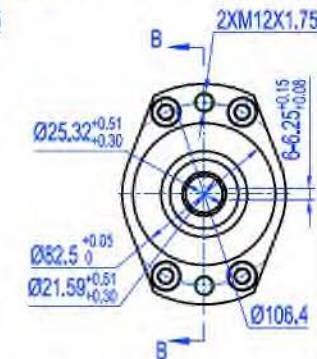
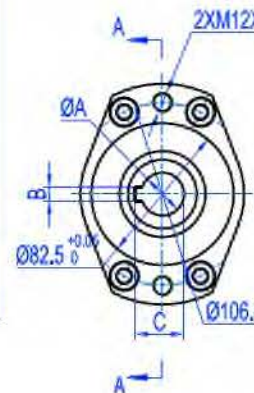
DESIGNED BY					
CHECKED BY					
APPROVED BY					
ALL PROPRIETARY RIGHTS IN THE SUBJECT MATTER HEREOF ARE RESERVED, AND NO PERMISSION IS GRANTED TO REPRODUCE THIS PRINT IN WHOLE OR IN PART, OR TO DISCLOSE ANY OF THE INFORMATION TO OTHERS.				WEIGHT	SCALE
					NTS
				SHEET	1/1
				12" SLEWING DRIVE	
SYMBOL ISO	SIZE	A4			KE12C-78(M)-R(C)



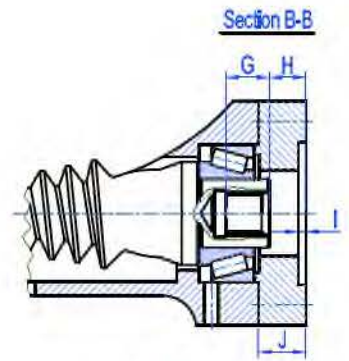
VIEW A



VIEW B



TYPE: 12M,20M,25M



TYPE: B

UNIT: mm

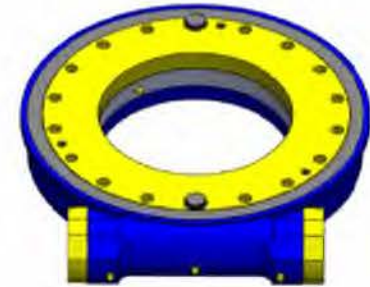
TYPE	A	B	C	D	E	F	G	H	I	J
12M	122 ^{+0.15} ₀	45 ^{+0.15} ₀	13.8 ^{+0.15} ₀	23	-3	4.5				27.5
20M	202 ^{+0.15} ₀	65 ^{+0.15} ₀	22.8 ^{+0.15} ₀	30	12	4.5				27.5
25M	252 ^{+0.15} ₀	85 ^{+0.15} ₀	28.3 ^{+0.15} ₀	45	21.2	4.5				27.5
B							25.4	25	4.5	27.5

DESIGNED BY				
CHECKED BY				
APPROVED BY				
ALL PROPRIETARY RIGHTS IN THE SUBJECT MATTER HEREOF ARE RESERVED, AND NO PERMISSION IS GRANTED TO REPRODUCE THIS PRINT IN WHOLE OR IN PART, OR TO DISCLOSE ANY OF THE INFORMATION TO OTHERS.	WEIGHT	SCALE	14" SLEWING DRIVE	
	55Kg	NTS		
SYMBOLS ISO	SIZE	A3	SHEET	1/1
			THE TOLERANCE NOT MENTIONED IS REFERRED TO ISO 2768-M-CASTING TOLERANCE ISO 8062-CT10	
KE14C-85(M)-R(C)			REV	A

SLEWING DRIVES PERFORMANCE DATA

Model Code : KE14C-85(M)-R(C)

Slewing Drive Ratio	85:1
Rotating Output Rated Speed	-
Efficiency	43%
International Protection (IP)	66
Motor Temperature	-
Worm Drive Temperature	- 20°C to + 120°C
Traceability	CEDS
Torsion Stiffness	2,240Nm/mRad
Bending Stiffness	2,645Nm/mRad



Slewing Drive Loading Data	HC Type				HB Type				HQ Type				HA Type			
Normal Output Torque	3,249	N·m	2,396	ft·lb	3,898	N·m	2,875	ft·lb	5,198	N·m	3,834	ft·lb	6,497	N·m	4,792	ft·lb
Max. Output Torque(3 sec.)	6,497	N·m	4,792	ft·lb	7,796	N·m	5,751	ft·lb	10,395	N·m	7,667	ft·lb	12,994	N·m	9,584	ft·lb
Backwards Holding Torque	48,000	N·m	35,405	ft·lb	48,000	N·m	35,405	ft·lb	48,000	N·m	35,405	ft·lb	48,000	N·m	35,405	ft·lb
Tilting Torque	67,800	N·m	50,009	ft·lb	67,800	N·m	50,009	ft·lb	67,800	N·m	50,009	ft·lb	67,800	N·m	50,009	ft·lb
Static Radial Rating	222.00	kN	49,906	lb	222.00	kN	49,906	lb	222.00	kN	49,906	lb	222.00	kN	49,906	lb
Static Axial Rating	555.00	kN	124,764	lb	555.00	kN	124,764	lb	555.00	kN	124,764	lb	555.00	kN	124,764	lb
Dynamic Radial Rating	116.55	kN	26,200	lb	116.55	kN	26,200	lb	116.55	kN	26,200	lb	116.55	kN	26,200	lb
Dynamic Axial Rating	133.20	kN	29,943	lb	133.20	kN	29,943	lb	133.20	kN	29,943	lb	133.20	kN	29,943	lb



DESIGNED BY					
CHECKED BY					
APPROVED BY					
<small>ALL PROPRIETARY RIGHTS IN THE SUBJECT MATTER HEREOF ARE RESERVED, AND NO PERMISSION IS GRANTED TO REPRODUCE THIS PRINT IN WHOLE OR IN PART, OR TO DISCLOSE ANY OF THE INFORMATION TO OTHERS.</small>			WEIGHT	SCALE	14" SLEWING DRIVE
				NTS	
SYMBOL ISO	SIZE	A4	SHEET	1/1	KE14C-85(M)-R(C)