

UNIT: mm

TYPE	A	B	C	D	E
12M	12 <sup>+0.05</sup> <sub>-0.015</sub>	4 <sup>+0.06</sup> <sub>-0.02</sub>	13.8 <sup>+0.2</sup> <sub>0</sub>	25.5	6.75

DESIGNED BY					
CHECKED BY					
APPROVED BY					
ALL PROPRIETARY RIGHTS IN THE SUBJECT MATTER HEREOF ARE RESERVED, AND NO PERMISSION IS GRANTED TO REPRODUCE THIS PRINT IN WHOLE OR IN PART, OR TO DISCLOSE ANY OF THE INFORMATION TO OTHERS.			WEIGHT	SCALE	<b>3" SLEWING DRIVE</b>
			30Kg	NTS	
SYMBOL	SIZE	A3	SHEET	1/1	<b>SDE3D-62M-RC</b>
ISO			THE TOLERANCE NOT MENTIONED IS REFERRED TO ISO 2768-VL CASTING TOLERANCE ISO 8062-CT 0		

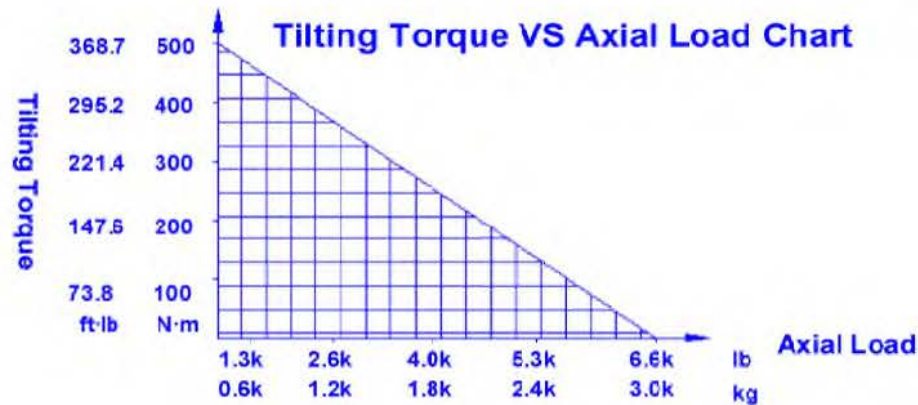
## SLEWING DRIVES PERFORMANCE DATA

**Model Code : SDE3D-62M-RC**

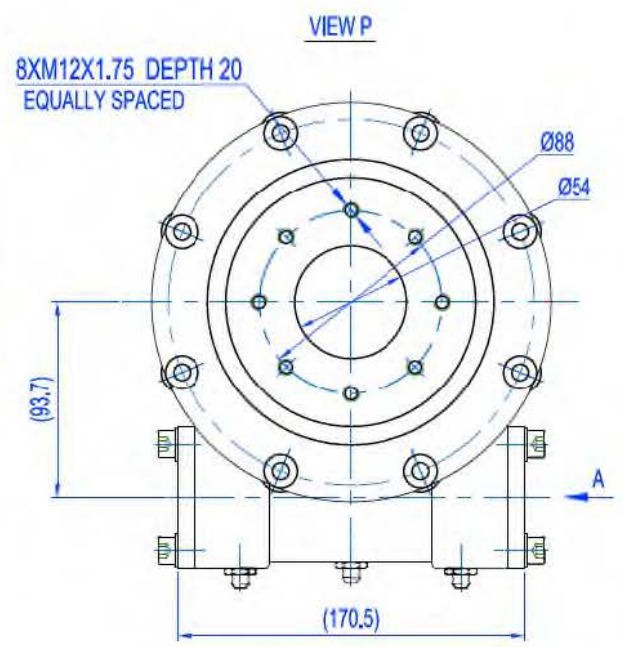
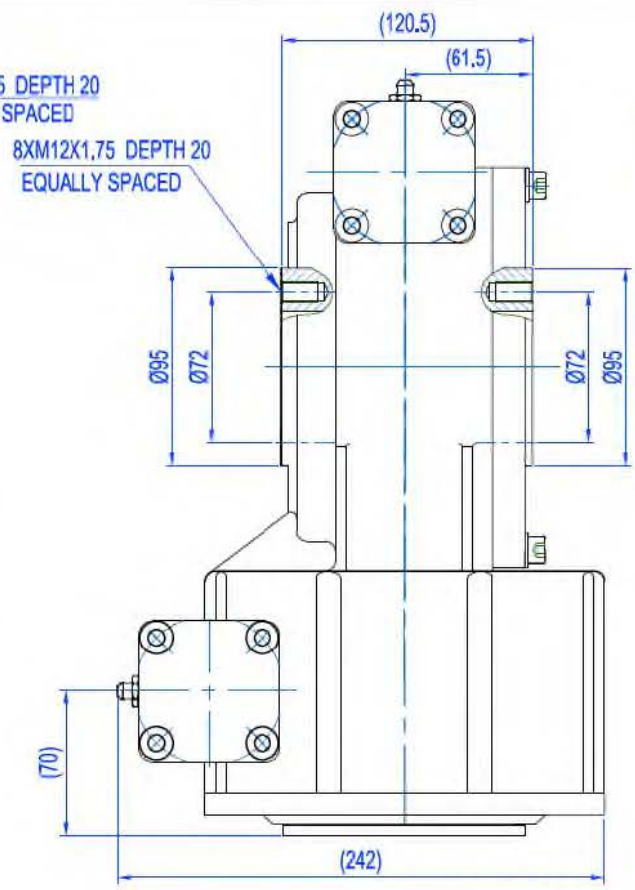
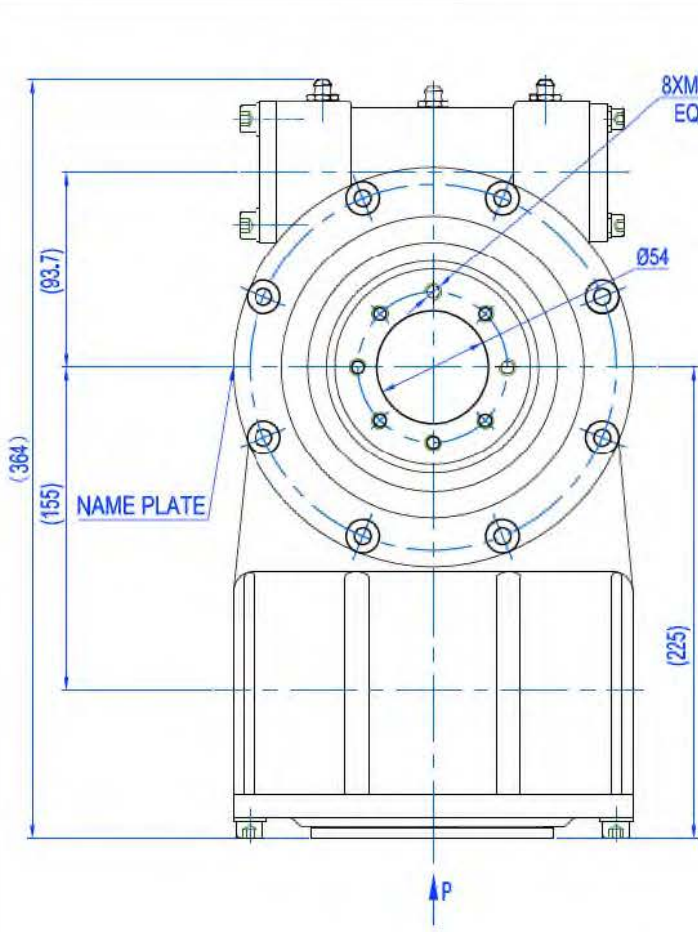
Slewing Drive Ratio	62:1
Rotating Output Rated Speed	-
Efficiency	30%
International Protection (IP)	55
Motor Temperature	-
Worm Drive Temperature	- 20°C to + 120°C
Traceability	CEDS
Torsion Stiffness	137 Nm/mRad
Bending Stiffness	190Nm/mRad



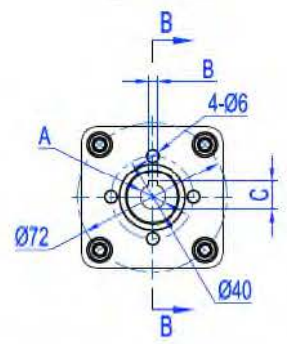
Slewing Drive Loading Data	HC Type			HQ Type				
Normal Output Torque	201	N·m	148	ft·lb	599	N·m	442	ft·lb
Max. Output Torque(3 sec.)	402	N·m	297	ft·lb	899	N·m	663	ft·lb
Backwards Holding Torque	3,000	N·m	2,213	ft·lb	3,000	N·m	2,213	ft·lb
Tilting Torque	500	N·m	369	ft·lb	500	N·m	369	ft·lb
Static Radial Rating	16.60	kN	3,732	lb	16.60	kN	3,732	lb
Static Axial Rating	29.40	kN	6,609	lb	29.40	kN	6,609	lb
Dynamic Radial Rating	8.40	kN	1,888	lb	8.40	kN	1,888	lb
Dynamic Axial Rating	9.60	kN	2,158	lb	9.60	kN	2,158	lb



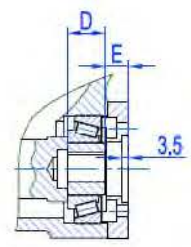
DESIGNED BY						
CHECKED BY						
APPROVED BY						
<small>ALL PROPRIETARY RIGHTS IN THE SUBJECT MATTER HEREOF ARE RESERVED, AND NO PERMISSION IS GRANTED TO REPRODUCE THIS PRINT IN WHOLE OR IN PART, OR TO DISCLOSE ANY OF THE INFORMATION TO OTHERS.</small>		WEIGHT	SCALE	<b>3" SLEWING DRIVE</b>		
			NTS			
SYMBOLS ISO	SIZE	A4	SHEET	1/1	<b>SDE3D-62M-RC</b>	REV
						<b>A</b>



VIEW A



Section B-B



UNIT: mm

TYPE	A	B	C	D	E
12M	12 <sup>+0.05</sup> / <sub>-0.15</sub>	4 <sup>+0.06</sup> / <sub>-0.02</sub>	13.8 <sup>+0.7</sup> / <sub>0</sub>	18	11.25

DESIGNED BY  
 CHECKED BY  
 APPROVED BY

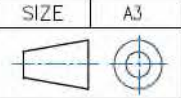


ALL PROPRIETARY RIGHTS IN THE SUBJECT MATTER HEREOF ARE RESERVED, AND NO PERMISSION IS GRANTED TO REPRODUCE THIS PRINT IN WHOLE OR IN PART, OR TO DISCLOSE ANY OF THE INFORMATION TO OTHERS.

WEIGHT 35Kg  
 SCALE NTS

5" SLEWING DRIVE

SYMBOL ISO



SIZE A3  
 SHEET 1/1  
 THE TOLERANCE NOT MENTIONED IS REFERRED TO ISO 2768-M-CASTING TOLERANCE ISO 8062-CT10

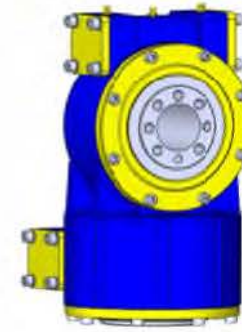
SDE5C-62M-RC

REV A

# SLEWING DRIVES PERFORMANCE DATA

Model Code : SDE5C-62M-RC

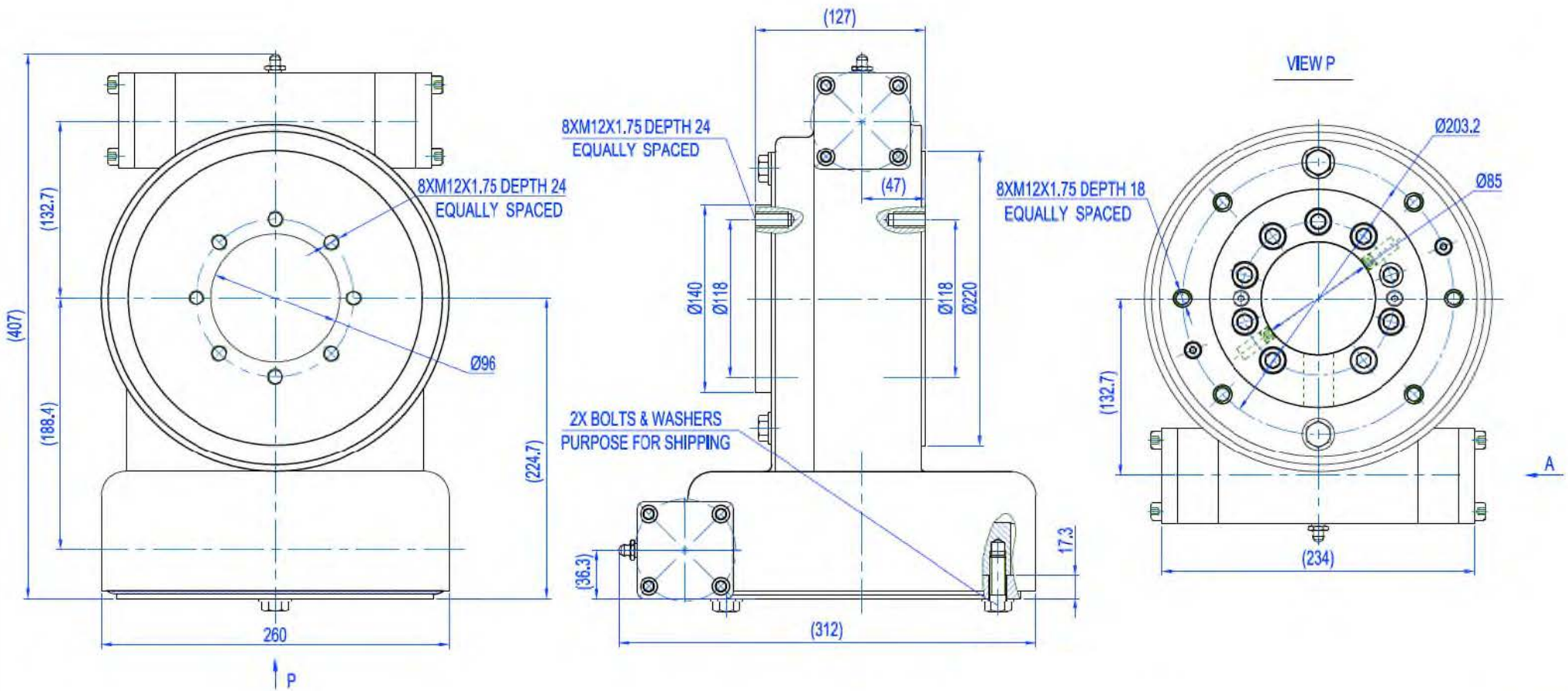
Slewing Drive Ratio	62:1
Rotating Output Rated Speed	-
Efficiency	30%
International Protection (IP)	55
Motor Temperature	-
Worm Drive Temperature	- 20°C to + 120°C
Traceability	CEDS
Bending Moment Stiffness	833 Nm/mRad
Back Torque Stiffness	318Nm/mRad



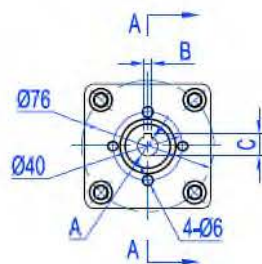
Slewing Drive Loading Data	HC Type				HQ Type			
		N·m	ft·lb		N·m	ft·lb		
Normal Output Torque	531		391		849		626	
Max. Output Torque(3 sec)	796		587		1,274		939	
Backwards Holding Torque	4,700		3,467		4,700		3,467	
Tilting Torque	5,011		3,696		5,011		3,696	
Static Radial Rating	27.10	kN	6,092	lb	27.10	kN	6,092	lb
Static Axial Rating	67.90	kN	15,264	lb	67.90	kN	15,264	lb
Dynamic Radial Rating	14.00	kN	3,147	lb	14.00	kN	3,147	lb
Dynamic Axial Rating	16.45	kN	3,698	lb	16.45	kN	3,698	lb



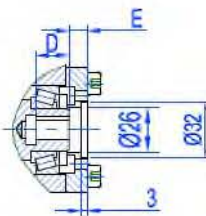
DESIGNED BY				<b>5" SLEWING DRIVE</b>	<b>SDE5C-62M-RC</b>	REV A
CHECKED BY						
APPROVED BY						
ALL PROPRIETARY RIGHTS IN THE SUBJECT MATTER HEREOF ARE RESERVED, AND NO PERMISSION IS GRANTED TO REPRODUCE THIS PRINT IN WHOLE OR IN PART, OR TO DISCLOSE ANY OF THE INFORMATION TO OTHERS.		WEIGHT	SCALE			
		35Kg	NTS			
SYMBOLS ISO	SIZE A4	SHEET	1/1			



VIEW A


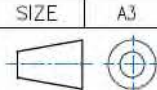


Section A-A



UNIT: mm

TYPE	A	B	C	D	E
12M	$12^{+0.085}_{-0.015}$	$4^{+0.08}_{-0.02}$	$13.8^{+0.2}_{-0}$	19	$\pm 0.25$

DESIGNED BY					
CHECKED BY					
APPROVED BY					
ALL PROPRIETARY RIGHTS IN THE SUBJECT MATTER HEREOF ARE RESERVED, AND NO PERMISSION IS GRANTED TO REPRODUCE THIS PRINT IN WHOLE OR IN PART, OR TO DISCLOSE ANY OF THE INFORMATION TO OTHERS.			WEIGHT	SCALE	<b>7" SLEWING DRIVE</b>
			58Kg	NTS	
SYMBOL	SIZE	A3	SHEET	1/1	<b>SDE7D-73M-RC</b>
ISO					

THE TOLERANCE NOT MENTIONED IS REFERRED TO ISO 2768-ML CASTING TOLERANCE ISO 8062-CT10

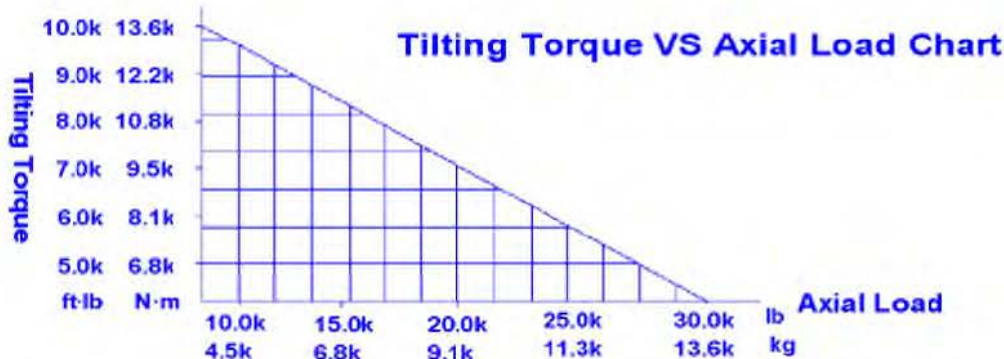
# SLEWING DRIVES PERFORMANCE DATA

**Model Code : SDE7D-73M-RC**

Slewing Drive Ratio	73:1
Rotating Output Rated Speed	-
Efficiency	30%
International Protection (IP)	55
Motor Temperature	-
Worm Drive Temperature	- 20°C to +120°C
Traceability	CEDS
Torsion Stiffness	762 Nm/mRad
Bending Stiffness	1083Nm/mRad



Slewing Drive Loading Data	HC Type				HB Type				HQ Type				HA Type			
Normal Output Torque	1,005	N·m	741	ft·lb	1,206	N·m	890	ft·lb	1,608	N·m	1,186	ft·lb	2,010	N·m	1,483	ft·lb
Max. Output Torque(3 sec.)	2,010	N·m	1,483	ft·lb	2,412	N·m	1,779	ft·lb	3,216	N·m	2,372	ft·lb	4,020	N·m	2,965	ft·lb
Backwards Holding Torque	10,338	N·m	7,625	ft·lb	10,338	N·m	7,625	ft·lb	10,338	N·m	7,625	ft·lb	10,338	N·m	7,625	ft·lb
Tilting Torque	13,556	N·m	9,999	ft·lb	13,556	N·m	9,999	ft·lb	13,556	N·m	9,999	ft·lb	13,556	N·m	9,999	ft·lb
Static Radial Rating	53.28	KN	11,977	lb	53.28	KN	11,977	lb	53.28	KN	11,977	lb	53.28	KN	11,977	lb
Static Axial Rating	133.20	kN	29,943	lb	133.20	kN	29,943	lb	133.20	kN	29,943	lb	133.20	kN	29,943	lb
Dynamic Radial Rating	27.91	KN	6,274	lb	27.91	KN	6,274	lb	27.91	KN	6,274	lb	27.91	KN	6,274	lb
Dynamic Axial Rating	31.90	kN	7,171	lb	31.90	kN	7,171	lb	31.90	kN	7,171	lb	31.90	kN	7,171	lb



DESIGNED BY						
CHECKED BY						
APPROVED BY						
<small>ALL PROPRIETARY RIGHTS IN THE SUBJECT MATTER HEREOF ARE RESERVED, AND NO PERMISSION IS GRANTED TO REPRODUCE THIS PRINT IN WHOLE OR IN PART, OR TO DISCLOSE ANY OF THE INFORMATION TO OTHERS.</small>				WEIGHT	SCALE	<b>7" SLEWING DRIVE</b>
				58Kg	NTS	
SYMBOLS ISO	SIZE	A4	SHEET	1/1	<b>SDE7D-73M-RC</b>	REV
						<b>A</b>