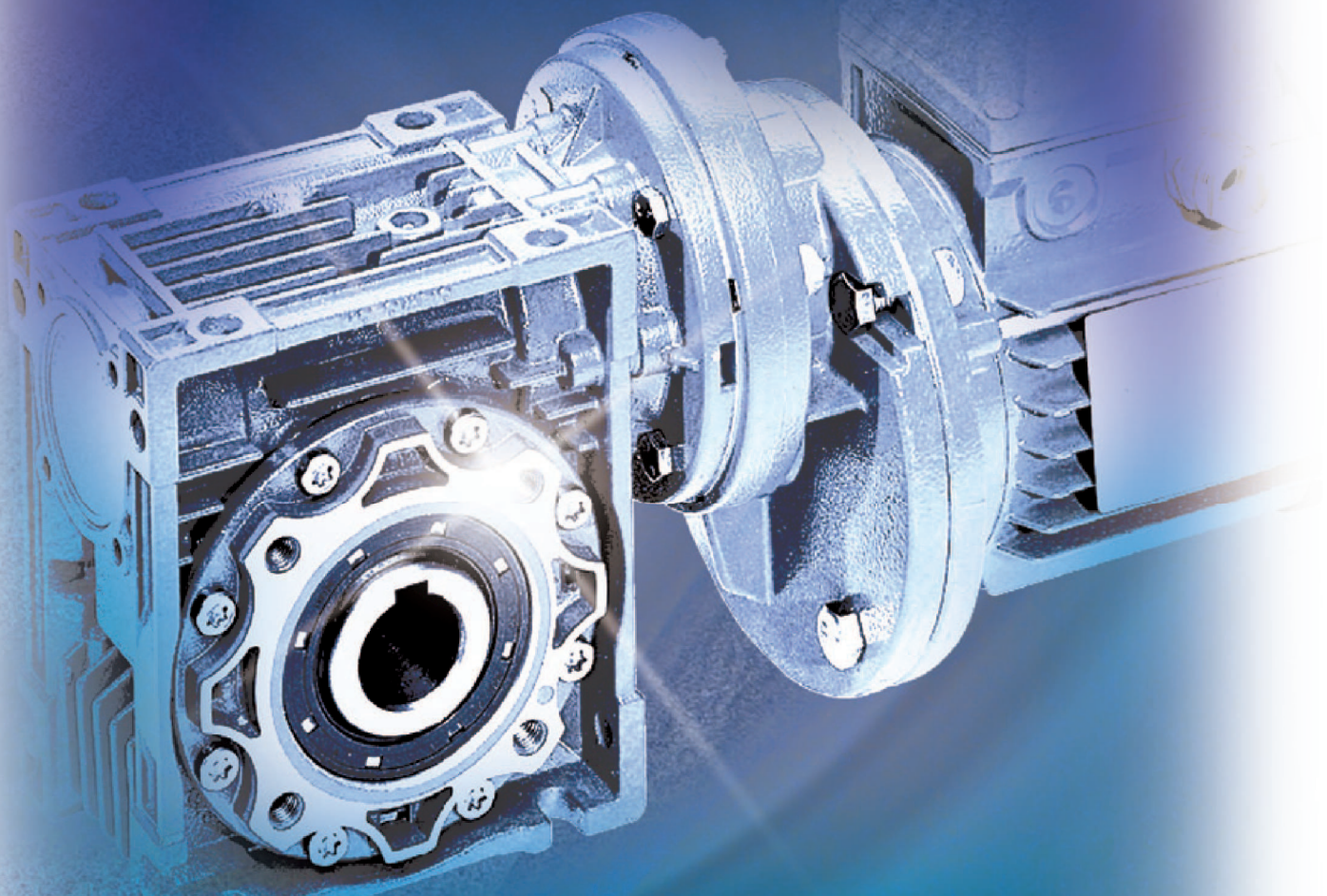


Reductor y motorreductor
tipo sinfín/corona
con prerreducción

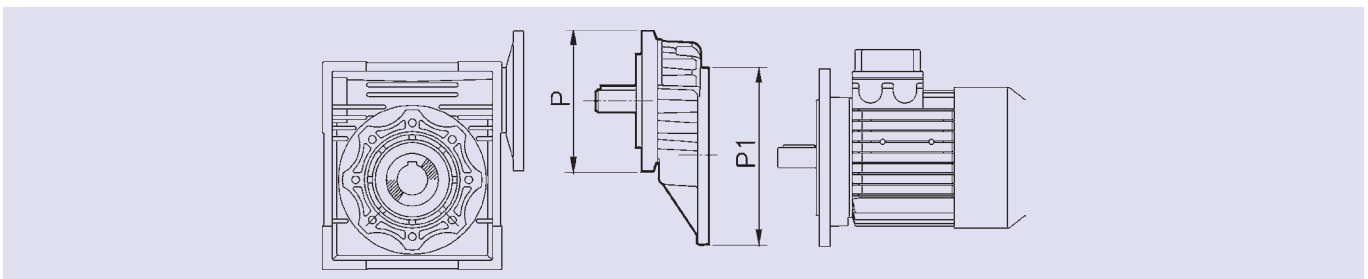
*Worm gear unit with
pre-stage helical unit*



BWQ + BH

BWQ+BH / BWQ+BH

BWQ	i	BH 63		BH 71		BH 80			BH 90		
		105 / 11 i = 3	105 / 14 i = 3	120 / 14 i = 3	120 / 19 i = 3	160 / 19 i = 3	160 / 24 i = 3	160 / 28 i = 3	160 / 19 i = 2,42	160 / 24 i = 2,42	160 / 28 i = 2,42
040	25										
	30										
	40										
	50										
	60										
	80										
050	100										
	25										
	30										
	40										
	50										
	60										
063	80										
	100										
	25										
	30										
	40										
	50										
075	60										
	80										
	100										
	25										
	30										
	40										
090	50										
	60										
	80										
	100										
	25										
	30										
110	40										
	50										
	60										
	80										
	100										
	25										
130	30										
	40										
	50										
	60										
	80										
	100										

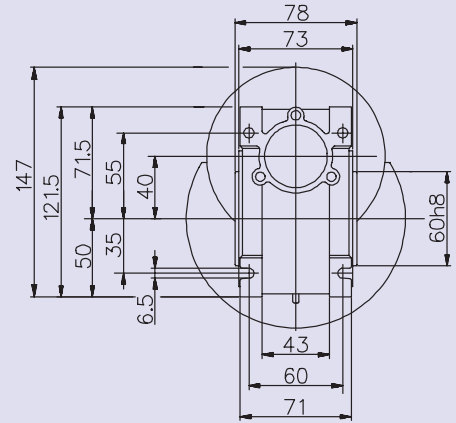
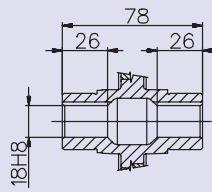
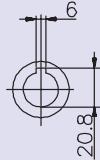
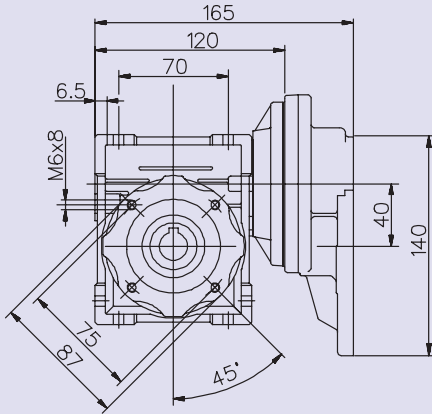


	P1	P	(P)
BH063	63B5 - 140/11	105/11	(105/14)
BH071	71B5 - 160/14	120/14	(120/19)
BH080	80B5 - 200/19	160/19	(160/24) (160/28)
BH090	90B5 - 200/24	160/24	(160/19) (160/28)

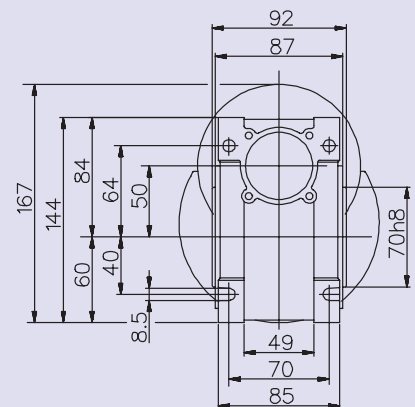
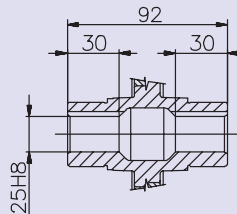
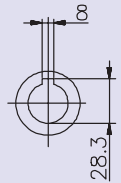
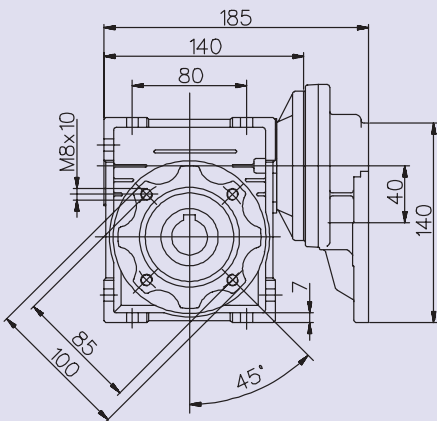
Sólo bajo pedido / Only on request

DIMENSIONES BWQ+BH / DIMENSIONS BWQ+BH

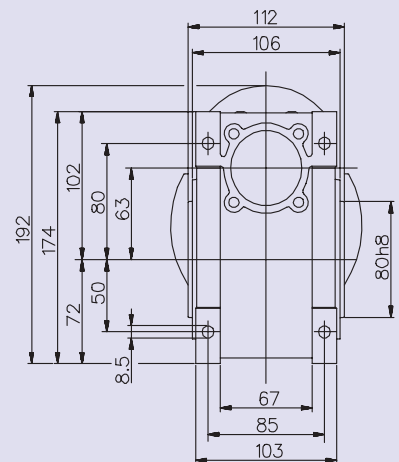
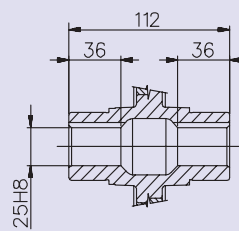
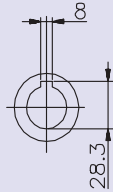
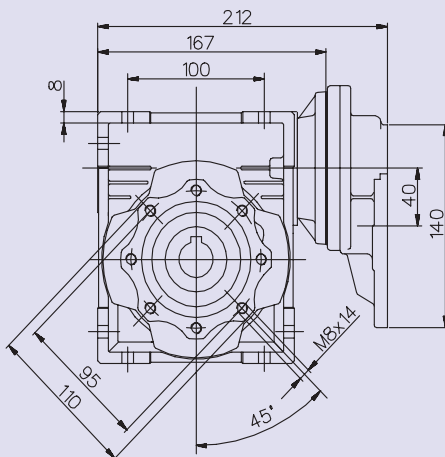
BWQ40 + BH063



BWQ50 + BH063

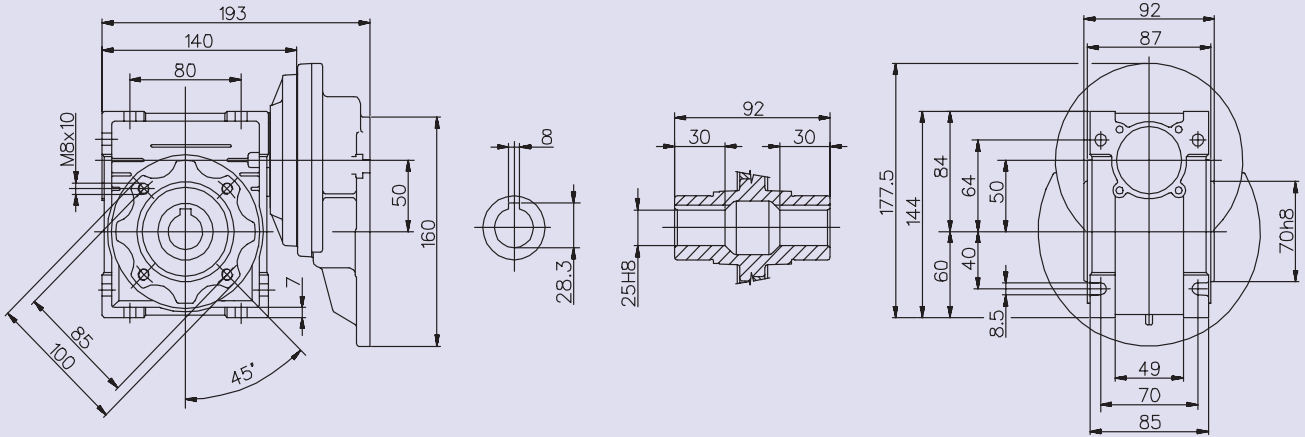


BWQ63 + BH063

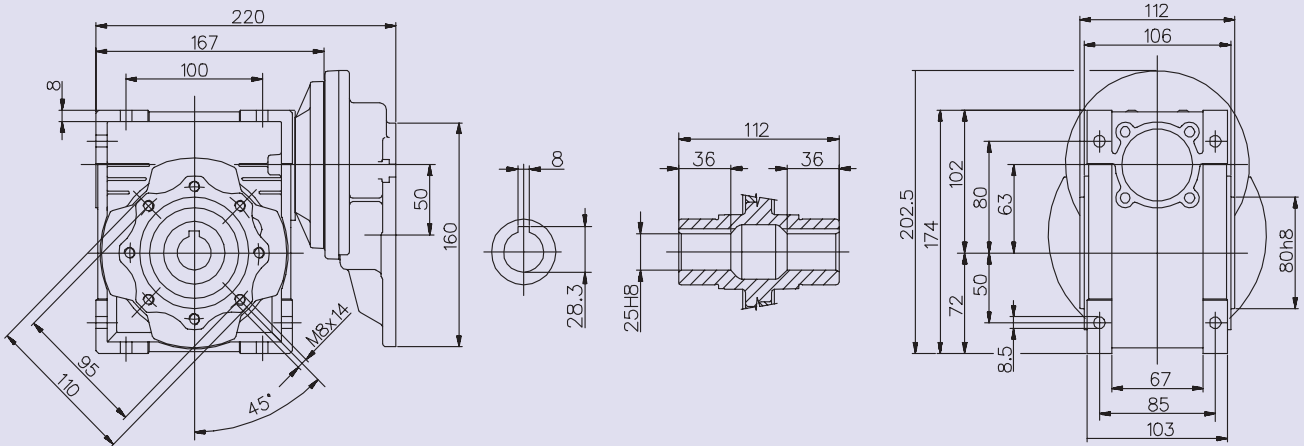


DIMENSIONES BWQ+BH / DIMENSIONS BWQ+BH

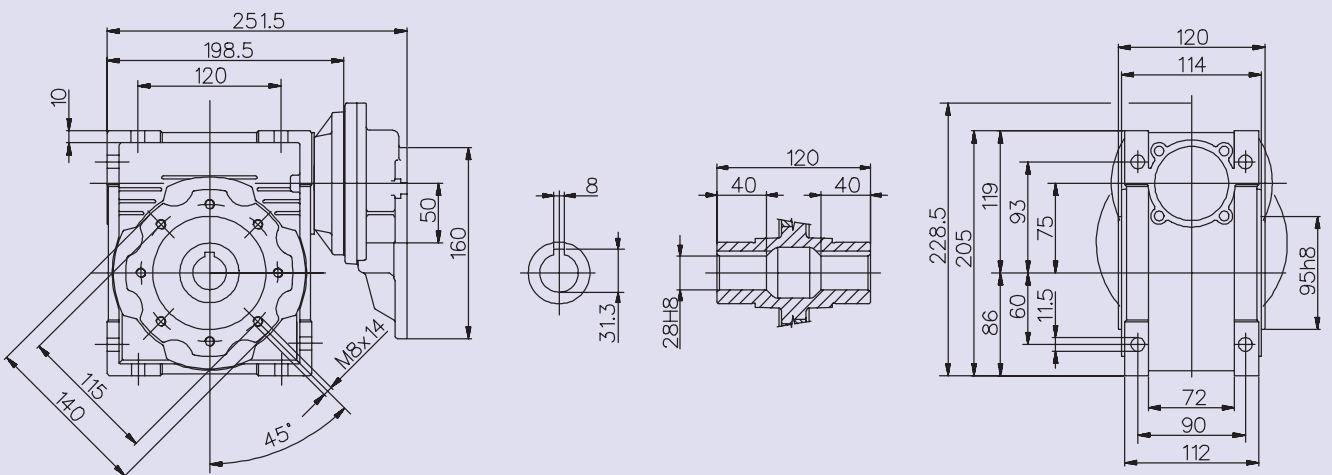
BWQ50 + BH071



BWQ63 + BH071

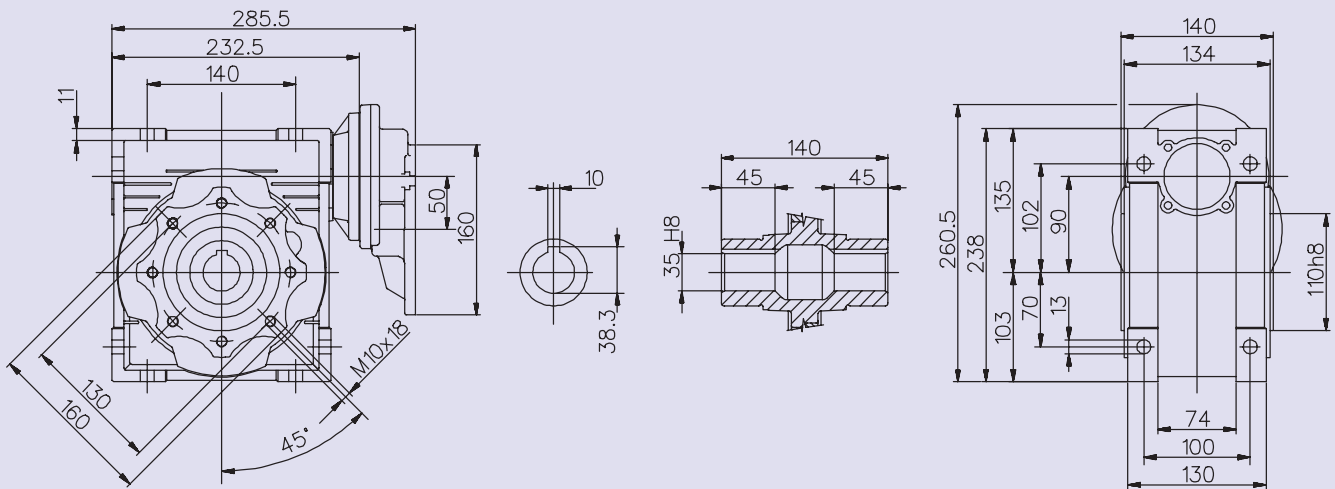


BWQ75 + BH071

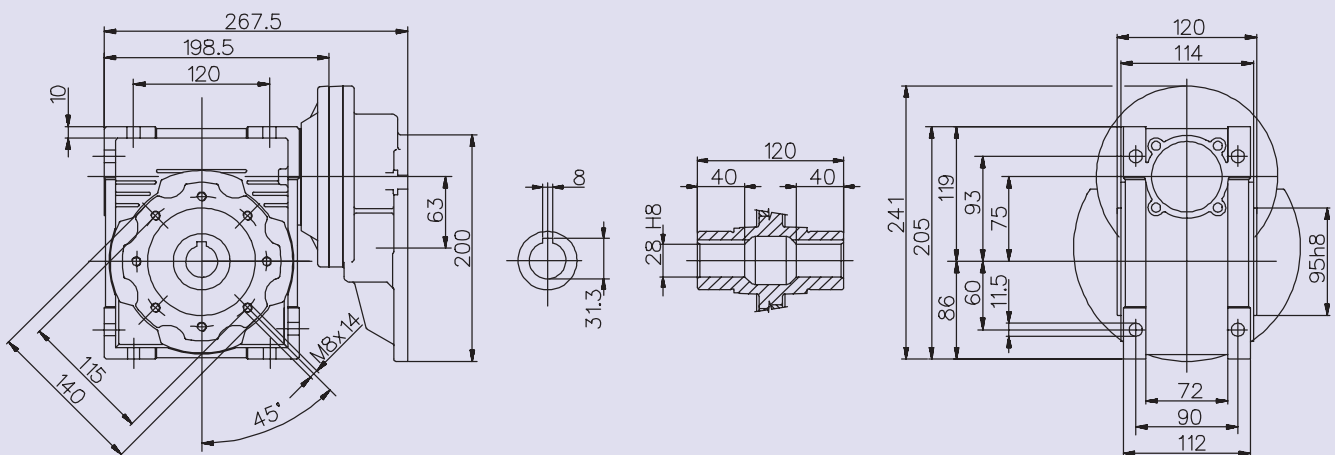


DIMENSIONES BWQ+BH / DIMENSIONS BWQ+BH

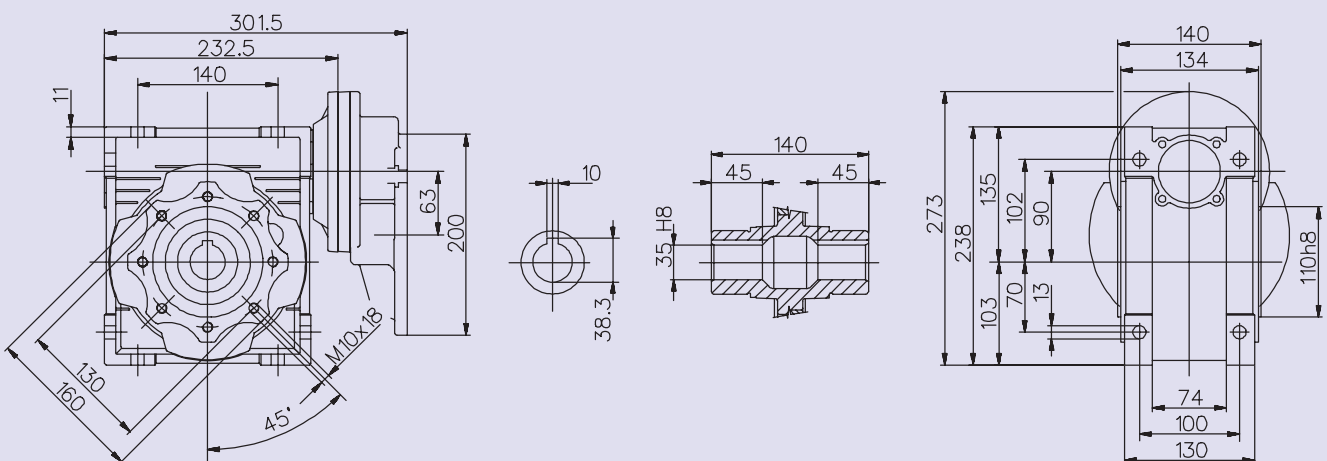
BWQ90 + BH071



BWQ75 + BH080



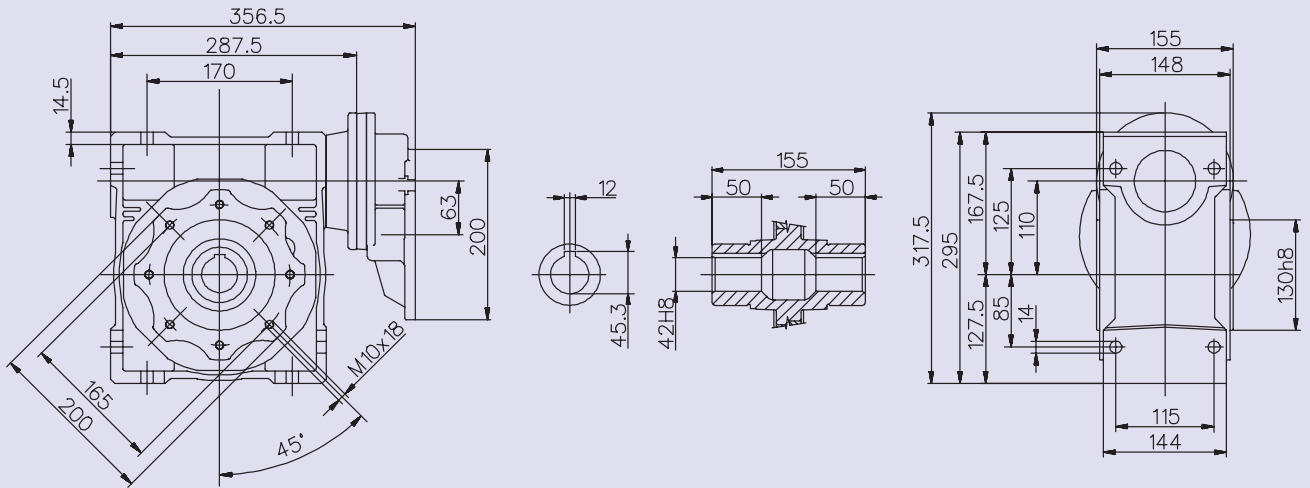
BWQ90 + BH080



DIMENSIONES BWQ+BH / DIMENSIONS BWQ+BH

BWQ110 + BH080

BWQ110 + BH090



BWQ130 + BH080

BWQ130 + BH090

