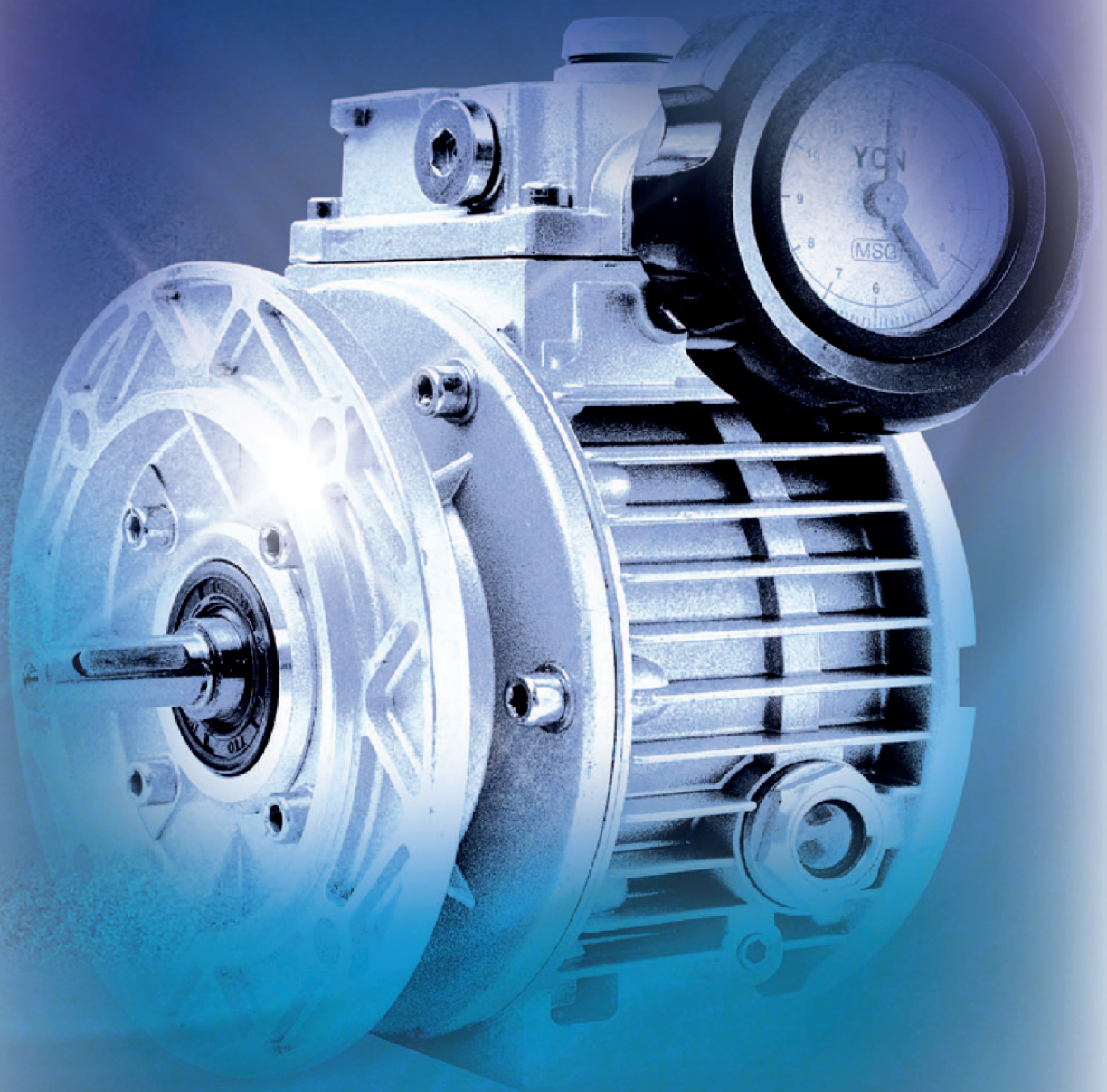


Reductores sin fin corona
Worm gearboxes

Motovariadores

Motorvariators



BV

Kw	Unit Size	Ratio	Output Speed (rpm)			Output Torque (Nm)		Max Torque Gearbox	Service Factor	
			n_{MAX}	-	n_{MIN}	M_{MIN}	M_{MAX}			
0.18	BVW40Q - 02 - 01843	7.5:1	117	-	2.7	9	-	18	65	3.6
	BVW40Q - 02 - 01843	10:1	88	-	17	12	-	23	67	2.9
	BVW40Q - 02 - 01843	15:1	58.7	-	11.3	17	-	32	67	2.0
	BVW40Q - 02 - 01843	20:1	44	-	8.5	22	-	40	64	1.6
	BVW40Q - 02 - 01843	25:1	35.2	-	6.8	27	-	47	76	1.6
	BVW40Q - 02 - 01843	30:1	29.3	-	5.7	30	-	51	73	1.4
	BVW40Q - 02 - 01843	40:1	22	-	4.3	37	-	62	66	1.06
	BVW50Q - 02 - 01843	40:1	22	-	4.3	38	-	63	119	1.8
	BVW40Q - 02 - 01843	50:1	17.6	-	3.4	43	-	60	61	1.0
	BVW50Q - 02 - 01843	50:1	17.6	-	3.4	44	-	73	103	1.4
	BVW50Q - 02 - 01843	60:1	14.7	-	2.8	50	-	80	85	1.06
	BVW50Q - 02 - 01843	80:1	11	-	2.1	59	-	82	76	0.9
	BVW50Q - 02 - 01843	100:1	8.8	-	1.7	66	-	79	50	0.6
0.37	BVW50Q - 05 - 03743	7.5:1	133	-	26.7	19	-	36	98	2.7
	BVW50Q - 05 - 03743	10:1	100	-	20	25	-	47	96	2.0
	BVW50Q - 05 - 03743	15:1	66.7	-	13.3	36	-	65	130	2.0
	BVW50Q - 05 - 03743	20:1	50	-	10	46	-	82	101	1.23
	BVW50Q - 05 - 03743	25:1	40	-	8	55	-	97	120	1.23
	BVW50Q - 05 - 03743	30:1	33.3	-	6.7	61	-	107	104	1.0
	BVW50Q - 05 - 03743	40:1	25	-	5	76	-	124	119	1.0
	BVW63Q - 05 - 03743	40:1	25	-	5	79	-	134	205	1.5
	BVW50Q - 05 - 03743	50:1	20	-	4	89	-	120	103	0.85
	BVW63Q - 05 - 03743	50:1	20	-	4	92	-	155	200	1.3
	BVW63Q - 05 - 03743	60:1	16.7	-	3.3	104	-	173	200	1.15
	BVW63Q - 05 - 03743	80:1	12.5	-	2.5	125	-	173	166	0.96
	BVW63Q - 05 - 03743	100:1	10	-	2	139	-	150	149	1.0
0.55	BVW63Q - 10 - 05543	7.5:1	133	-	26.7	26	-	49	211	4.3
	BVW63Q - 10 - 05543	10:1	100	-	20	34	-	63	220	3.5
	BVW63Q - 10 - 05543	15:1	66.7	-	13.3	48	-	88	234	2.6
	BVW63Q - 10 - 05543	20:1	50	-	10	62	-	112	215	1.9
	BVW63Q - 10 - 05543	25:1	40	-	8	75	-	133	269	2.0
	BVW63Q - 10 - 05543	30:1	33.3	-	6.7	81	-	146	237	1.6
	BVW63Q - 10 - 05543	40:1	25	-	5	105	-	179	205	1.14
	BVW63Q - 10 - 05543	50:1	20	-	4	123	-	207	200	0.96
	BVW75Q - 10 - 05543	50:1	20	-	4	129	-	216	295	1.36
	BVW75Q - 10 - 05543	60:1	16.7	-	3.3	146	-	242	301	1.24
	BVW75Q - 10 - 05543	80:1	12.5	-	2.5	176	-	250	275	1.1
	BVW90Q - 10 - 05543	80:1	12.5	-	2.5	189	-	309	355	1.14
	BVW90Q - 10 - 05543	100:1	10	-	2	218	-	350	333	0.95
0.75	BVW63Q - 10 - 07543	7.5:1	133	-	26.7	39	-	73	211	2.8
	BVW63Q - 10 - 07543	10:1	100	-	20	51	-	94	220	2.3
	BVW63Q - 10 - 07543	15:1	66.7	-	13.3	72	-	132	234	1.7
	BVW63Q - 10 - 07543	20:1	50	-	10	92	-	168	215	1.27
	BVW63Q - 10 - 07543	25:1	40	-	8	112	-	199	269	1.35
	BVW63Q - 10 - 07543	30:1	33.3	-	6.7	126	-	219	237	1.08
	BVW63Q - 10 - 07543	40:1	25	-	5	156	-	232	205	0.88
	BVW63Q - 10 - 07543	50:1	20	-	4	185	-	310	200	0.64
	BVW75Q - 10 - 07543	50:1	20	-	4	192	-	320	295	0.92
	BVW75Q - 10 - 07543	60:1	16.7	-	3.3	219	-	300	301	1.0
	BVW90Q - 10 - 07543	60:1	16.7	-	3.3	230	-	389	461	1.18
	BVW90Q - 10 - 07543	80:1	12.5	-	2.5	265	-	428	355	0.83
	BVW110Q - 10 - 07543	80:1	12.5	-	2.5	302	-	503	731	1.45
BVW90Q - 10 - 07543	100:1	10	-	2	303	-	410	333	0.81	
BVW110Q - 10 - 07543	100:1	10	-	2	348	-	575	676	1.17	
1.1	BVW75Q - 20 - 1.143	7.5:1	133	-	26.7	59	-	111	315	2.8
	BVW75Q - 20 - 1.143	10:1	100	-	20	77	-	144	315	2.1
	BVW90Q - 20 - 1.143	10:1	120	-	20	78	-	146	432	2.9
	BVW75Q - 20 - 1.143	15:11	66.7	-	13.3	110	-	203	312	1.5
	BVW90Q - 20 - 1.143	15:1	66.7	-	13.3	113	-	208	580	2.7
	BVW75Q - 20 - 1.143	20:1	50	-	10	142	-	258	338	1.3
	BVW90Q - 20 - 1.143	20:1	50	-	10	146	-	266	484	1.8
	BVW75Q - 20 - 1.143	25:1	48	-	8	172	-	308	336	1.09
	BVW90Q - 20 - 1.143	25:1	40	-	8	177	-	320	524	1.6
	BVW75Q - 20 - 1.143	30:1	33.3	-	6.7	195	-	340	325	0.95
	BVW90Q - 20 - 1.143	30:1	33.3	-	6.7	202	-	356	616	1.7
	BVW75Q - 20 - 1.143	40:1	25	-	5	245	-	360	336	0.9
	BVW90Q - 20 - 1.143	40:1	25	-	5	256	-	442	483	1.1
	BVW90Q - 20 - 1.143	50:1	20	-	4	304	-	517	506	0.98
	BVW110Q - 20 - 1.143	50:1	20	-	4	320	-	550	864	1.5
	BVW110Q - 20 - 1.143	60:1	16.7	-	3.3	368	-	625	864	1.38
	BVW130Q - 20 - 1.143	60:1	16.7	-	3.3	373	-	623	1212	1.9
	BVW110Q - 20 - 1.143	80:1	12.5	-	2.5	455	-	754	731	0.97
	BVW130Q - 20 - 1.143	80:1	12.5	-	2.5	460	-	749	1000	1.33
BVW110Q - 20 - 1.143	100:1	10	-	2	522	-	710	676	0.95	
BVW130Q - 20 - 1.143	100:1	10	-	2	531	-	868	915	1.05	

SELECCIÓN / SELECTION

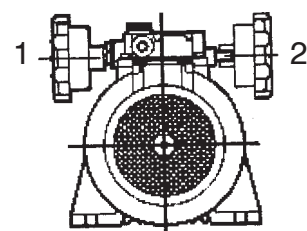
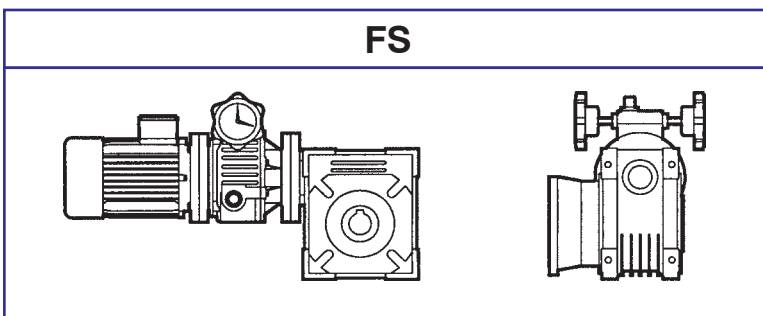
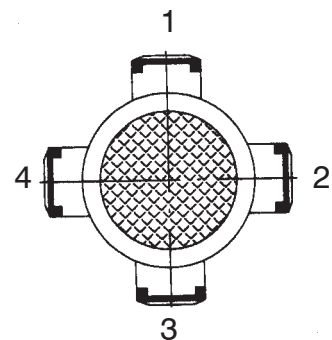
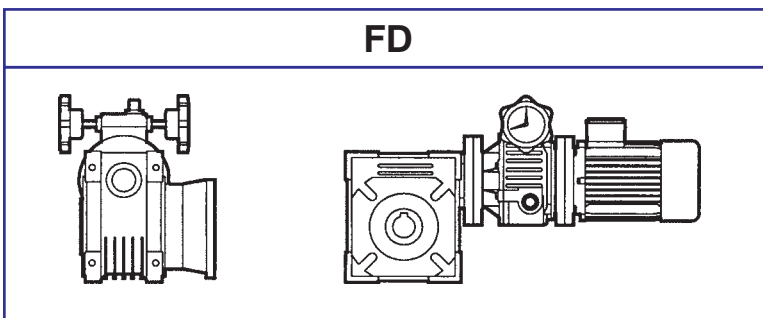
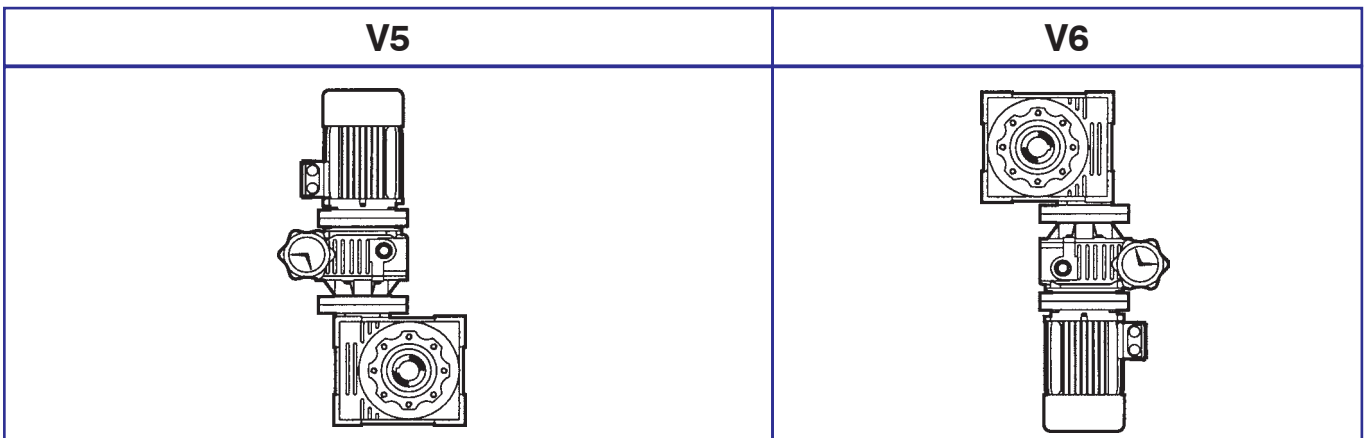
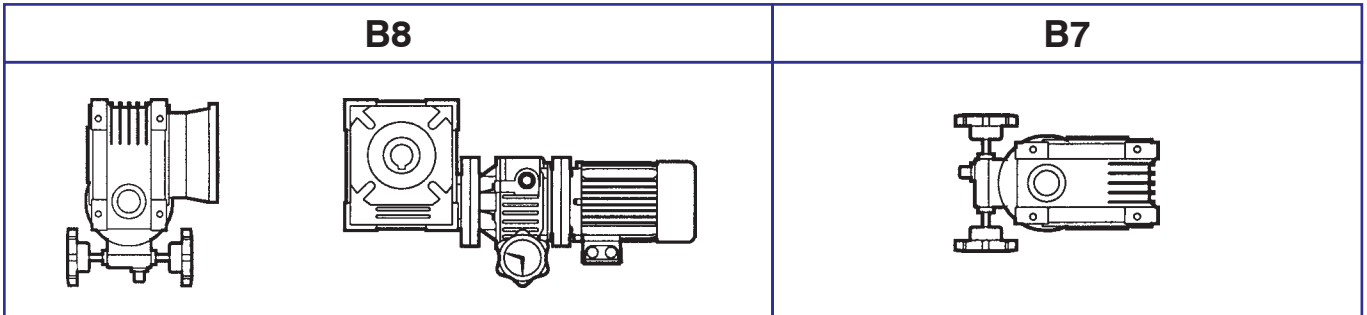
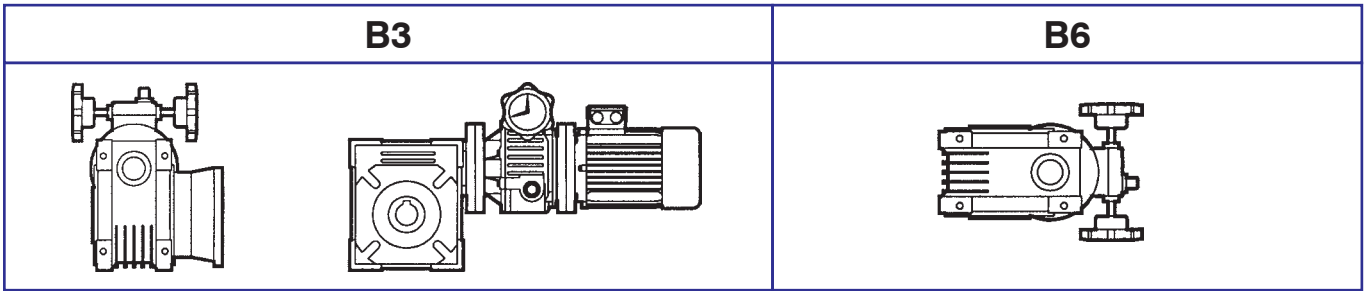
n1=1400

Kw	Unit Size	Ratio	Output Speed (rpm)		Output Torque (Nm)		Max Torque Gearbox	Service Factor
			n_{MAX}	n_{MIN}	M_{MIN}	M_{MAX}		
1.5	BVW75Q - 20 - 1.543	7.5:1	133	- 26.7	78	- 148	315	2.1
	BVW90Q - 20 - 1.543	7.5:1	133	- 26.7	77	- 150	478	3.1
	BVW75Q - 20 - 1.543	10:1	100	- 20	102	- 192	315	1.6
	BVW90Q - 20 - 1.543	10:1	100	- 20	104	- 195	432	2.2
	BVW75Q - 20 - 1.543	15:1	66.7	- 13.3	147	- 270	312	1.15
	BVW90Q - 20 - 1.543	15:1	66.7	- 13.3	150	- 277	580	2.0
	BVW75Q - 20 - 1.543	20:1	50	- 10	190	- 344	338	1.0
	BVW90Q - 20 - 1.543	20:1	50	- 10	194	- 355	484	1.36
	BVW75Q - 20 - 1.543	25:1	40	- 8	229	- 330	336	1.0
	BVW90Q - 20 - 1.543	25:1	40	- 8	236	- 427	524	1.2
	BVW75Q - 20 - 1.543	30:1	33.3	- 6.7	260	- 390	325	0.8
	BVW90Q - 20 - 1.543	30:1	33.3	- 6.7	270	- 474	616	1.3
	BVW75Q - 20 - 1.543	40:1	25	- 5	237	- 360	336	0.9
	BVW90Q - 20 - 1.543	40:1	25	- 5	341	- 589	483	0.8
	BVW90Q - 20 - 1.543	50:1	20	- 4	406	- 560	506	0.9
	BVW110Q - 20 - 1.543	50:1	20	- 4	426	- 733	864	1.17
	BVW110Q - 20 - 1.543	60:1	16.7	- 3.3	490	- 833	863	1.03
	BVW130Q - 20 - 1.543	60:1	16.7	- 3.3	498	- 831	1212	1.45
BVW130Q - 20 - 1.543	80:1	12.5	- 2.5	614	- 999	1000	1.0	
BVW130Q - 20 - 1.543	100:1	10	- 2	696	- 1100	915	0.83	
2.2	BVW110Q - 30 - 2.243	7.5:1	133	- 26.7	120	- 226	815	3.6
	BVW110Q - 30 - 2.243	10:1	100	- 20	157	- 294	815	2.7
	BVW110Q - 30 - 2.243	15:1	66.7	- 13.3	228	- 418	858	2.0
	BVW110Q - 30 - 2.243	20:1	50	- 10	298	- 549	878	1.6
	BVW110Q - 30 - 2.243	25:1	40	- 8	364	- 664	908	1.36
	BVW110Q - 30 - 2.243	30:1	33.3	- 6.7	413	- 717	809	1.12
	BVW110Q - 30 - 2.243	40:1	25	- 5	533	- 931	817	0.87
	BVW130Q - 30 - 2.243	40:1	25	- 5	542	- 932	1355	1.45
	BVW130Q - 30 - 2.243	50:1	20	- 4	648	- 1097	1160	1.05
	BVW130Q - 30 - 2.243	60:1	16.7	- 3.3	746	- 1246	1212	0.97
	BVW130Q - 30 - 2.243	80:1	12.5	- 2.5	921	- 1499	1000	0.66
	BVW130Q - 30 - 2.243	100:1	10	- 2	1040	- 1610	915	0.56
3.0	BVW110Q - 40 - 3.043	7.5:1	133	- 26.7	160	- 302	815	2.7
	BVW130Q - 40 - 3.043	7.5:1	133	- 26.7	160	- 301	1339	3.7
	BVW110Q - 40 - 3.043	10:1	100	- 20	210	- 392	816	2.0
	BVW130Q - 40 - 3.043	10:1	100	- 20	211	- 395	1390	3.5
	BVW110Q - 40 - 3.043	15:1	66.7	- 13.3	304	- 558	858	1.5
	BVW130Q - 40 - 3.043	15:1	66.7	- 13.3	307	- 563	1517	2.7
	BVW110Q - 40 - 3.043	20:1	50	- 10	398	- 732	878	1.2
	BVW130Q - 40 - 3.043	20:1	50	- 10	402	- 733	1325	1.8
	BVW110Q - 40 - 3.043	25:1	40	- 8	485	- 885	908	1.02
	BVW130Q - 40 - 3.043	25:1	40	- 8	490	- 885	1527	1.7
	BVW110Q - 40 - 3.043	30:1	33.3	- 6.7	547	- 956	809	0.85
	BVW130Q - 40 - 3.043	30:1	33.3	- 6.7	562	- 973	1509	1.55
	BVW110Q - 40 - 3.043	40:1	25	- 5	711	- 1030	817	0.8
	BVW130Q - 40 - 3.043	40:1	25	- 5	720	- 1242	1355	1.09
	BVW130Q - 40 - 3.043	50:1	20	- 4	864	- 1463	1160	0.79
4.0	BVW110Q - 40 - 4.043	7.5:1	133	- 26.7	213	- 402	815	2.0
	BVW130Q - 40 - 4.043	7.5:1	133	- 26.7	214	- 401	1339	3.3
	BVW110Q - 40 - 4.043	10:1	100	- 20	279	- 523	816	1.5
	BVW130Q - 40 - 4.043	10:1	20	- 100	281	- 527	1390	2.6
	BVW110Q - 40 - 4.043	15:1	66.7	- 13.3	405	- 744	858	1.15
	BVW130Q - 40 - 4.043	15:1	66.7	- 13.3	410	- 751	1517	2.0
	BVW110Q - 40 - 4.043	20:1	50	- 10	530	- 975	878	0.9
	BVW130Q - 40 - 4.043	20:1	50	- 10	536	- 978	1325	1.35
	BVW110Q - 40 - 4.043	25:1	40	- 8	647	- 1020	908	0.9
	BVW130Q - 40 - 4.043	25:1	40	- 8	653	- 1180	1527	1.3
	BVW130Q - 40 - 4.043	30:1	33.3	- 6.7	749	- 1298	1509	1.16
	BVW130Q - 40 - 4.043	40:1	25	- 5	960	- 1650	1355	0.82

Selección de Servicio
Estandar Factor Mínimo 1.0

Standard Selection
Minimum Service Factor 1.0

POSICIONES DE MONTAJE / MOUNTING POSITIONS



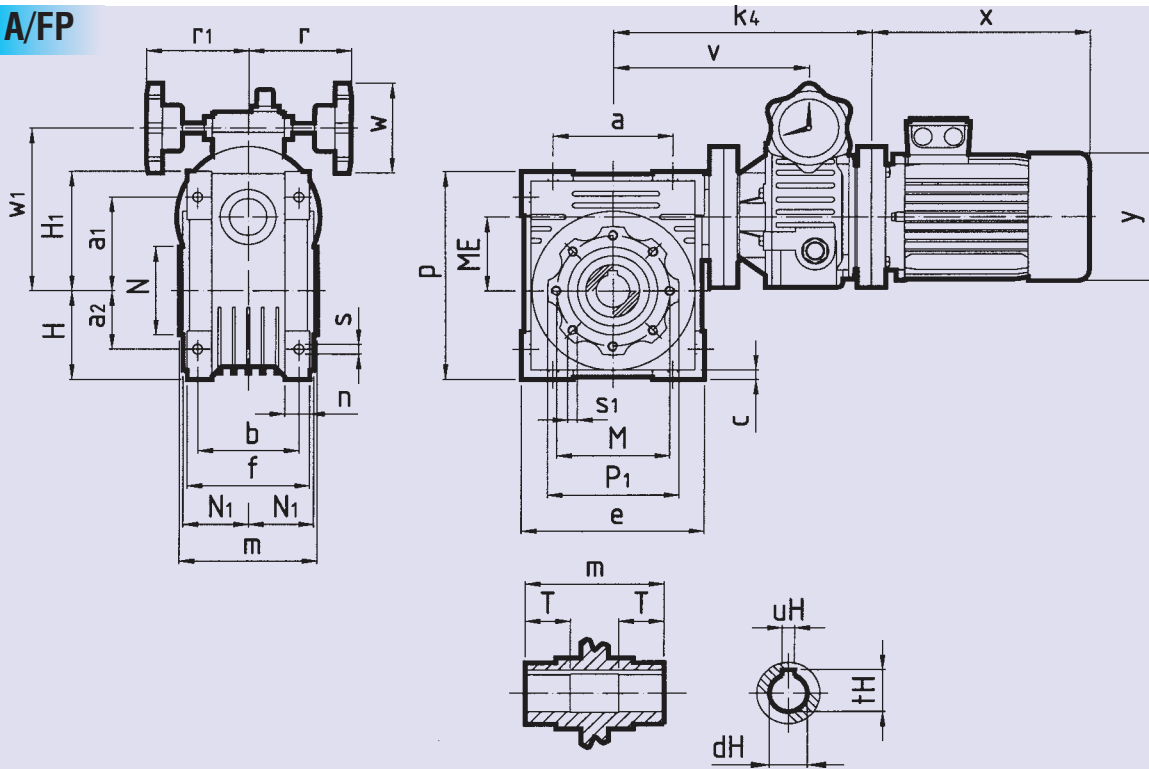
DIMENSIONES / DIMENSIONS

	BVW40Q	BVW50Q	BVW63Q	BVW75Q	BVW90Q	BVW110Q	BVW130Q													
Montaje patas / Foot dimensions																				
a	70	80	100	120	140	170	200													
a1	55	64	80	93	102	125	140													
a2	35	40	50	60	70	85	100													
b	60	70	85	90	100	115	120													
c	6.5	7	8	10	11	14	15													
e	100	120	144	174	206	252.5	292.5													
f	71	85	103	112	130	144	155													
H	50	60	72	86	103	127.5	147.5													
H1	71.5	84	102	119	135	167.5	187.5													
m	78	92	112	120	140	155	170													
n	14	18	18	20	28	144	155													
p	121.5	144	174	205	238	295	335													
s	6.5	8.5	8.5	11	13	14	16													
ME	40	50	63	75	90	110	130													
Montaje FP / FP Fixing																				
M	75	85	95	115	130	165	215													
N(i8)	60	70	80	95	110	130	180													
N1	36.5	43.5	53	57	67	74	81													
P1	87	100	110	140	160	200	250													
s1	M6 x 8 4 x 45 deg	M8 x 10 4 x 45 deg	M8 x 14 8 x 45 deg	M8 x 14 8 x 45 deg	M10 x 18 8 x 45 deg	M10 x 18 8 x 45 deg	M12 x 21 8 x 45 deg													
Brida F / Flange fixing F																				
a3	110	125	180	200	210	280	320													
a	95	110	142	170	200	260	290													
b2(H8)	60	70	115	130	152	170	180													
e2	87	90	150	165	175	230	255													
s2	9	11	14	14	14	8 x 14	8 x 16													
H2	67	90	82	111	111	131	140													
c1	7	9	10	13	13	15	15													
f1	4	5	6	6	6	6	6													
Brida FL / Flange fixing FL																				
a5		110	125	180	-	-	- -													
a2		95	110	142	-	-	- -													
b4(H8)	60	70	115	-	-	-	- -													
e4	75	85	150	-	-	-	- -													
s4	9	11	11	-	-	-	- -													
H4	97	120	112	-	-	-	- -													
c3	7	9	10	-	-	-	- -													
f3	4	5	6	-	-	-	- -													
Ejes huecos / Output shaft bores																				
dH(H7)	18	25	25	28	35	42	45													
tH	20.8	28.3	28.3	31.3	38.3	45.3	48.8													
uH	6 (6)	8 (8)	8 (8)	10 (8)	10 (10)	12	14													
m	78	92	112	120	140	155	170													
T	26	30	36	40	45	50	60													
Variador / Variator																				
Size	02	02	05	05	10	10	20	20	10	20	20	10	20	20	30/40	40	20	20	30/40	40
k4	183	193	190	205	234	252	260	301	269	277	318	307	348	368	368	368	368	368	388	388
w1	118	128	140	153	170	182	177	177	197	192	192	212	232	232	260	260	252	252	280	280
r	110	110	110	110	120	120	150	150	120	150	150	120	150	150	160	160	150	150	160	160
r1	110	110	110	110	120	120	-	-	120	-	-	120	-	-	-	-	-	-	-	-
v	135	145	154	169	181	198	208	228	215	225	245	245	255	275	291	291	275	295	311	311
w	85	85	85	85	110	110	110	110	110	110	110	110	110	110	110	110	110	110	110	110
Dimensiones del motor / Motor dimensions																				
KW (4 POLE)	0.18	0.18	0.37	0.37	0.55	0.55	1.1	1.5	0.55	1.1	1.5	0.75	1.1	1.5	2.2	4.0	1.1	1.5	2.2	4.0
				0.75	0.75				0.75						3.0					3.0
x	191	191	201	201	230	230	247	272	230	247	272	230	247	272	305	305	247	272	305	323
y	121	121	139	139	156	156	176	176	156	176	176	156	176	176	194	194	176	176	194	218

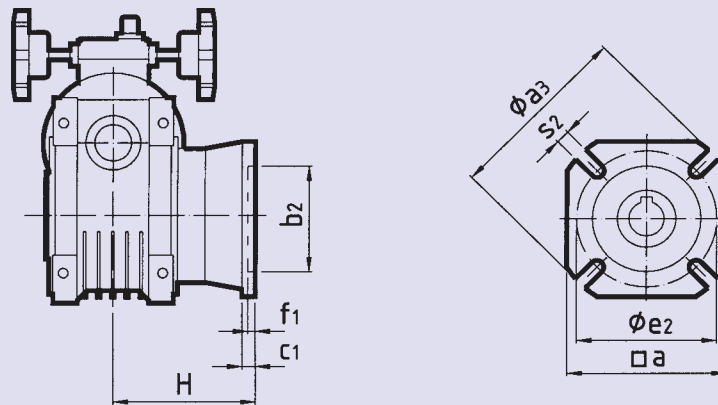
Las dimensiones del motor son aproximadas y pueden variar en función del tipo de motor montado.
Motor dimensions are approximate and will vary due to type and make of motor fitted.

DIMENSIONES / DIMENSIONS

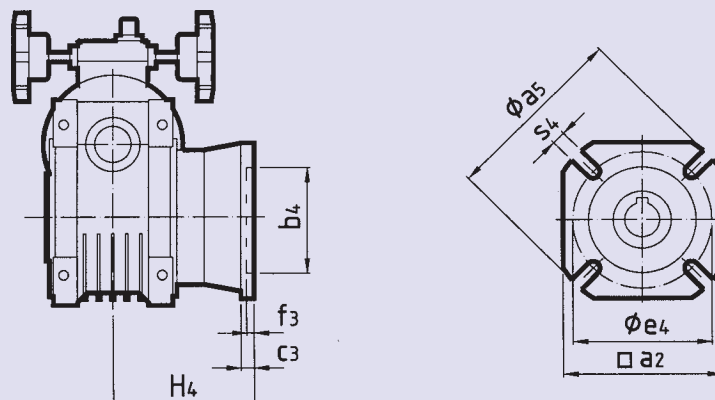
A/FP



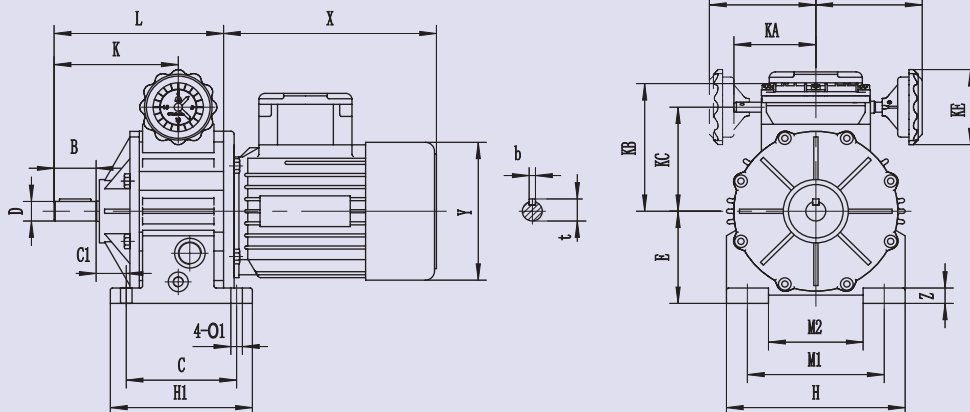
F



FL

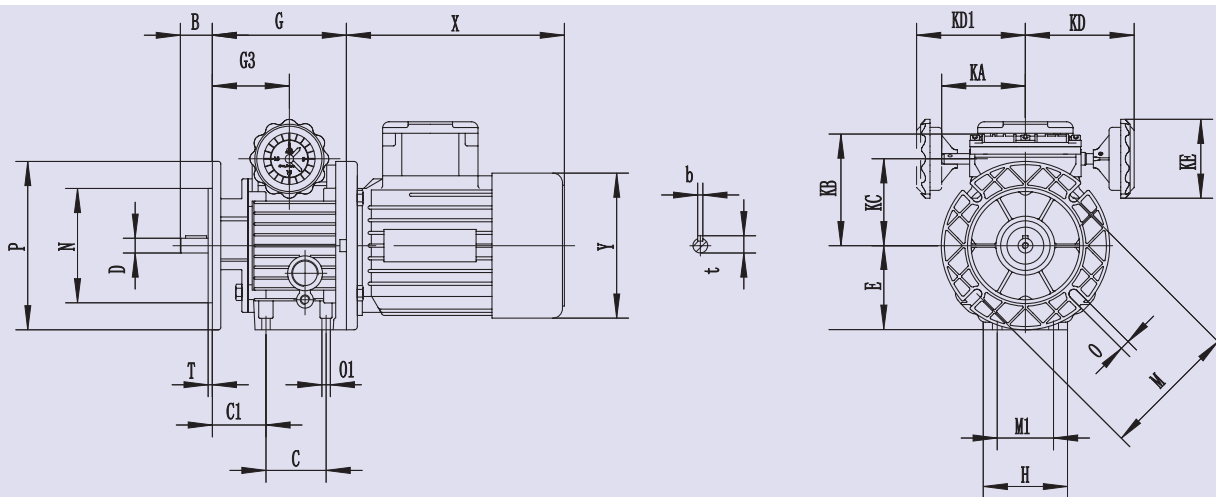


DIMENSIONES TIPO B3 / DIMENSIONS FOR B3 MODEL



TYPE	B	D(j6)	C	C1	E	H	H1	K	L	M1	M2	O1	KA	KB	KC	KD	KD1	KE	b	t	X	Y	Z
BV020.18B3	23	11	105	17.5	80	145	120	87.5	135.5	110	71	9	71	111	78	110	110	85	4	12.5	200	120	10
BV050.25B3	30	14	104	30.5	93	149	125	87.5	137.5	120	96	9	71	123	83	110	110	85	5	16	227	141	10
BV050.37B3																							
BV100.75B3	40	19	125	40	113	190	150	108.5	171	160	135	11	79	140	103	120	120	110	6	21.5	268	160	15
BV20 1.1B3	40	24	125	46.5	106	200	150	147	203	160	104	13	-	124	109	135	-	110	8	27	265	195	15
BV20 1.5B3	50	24	140	49	125	230	170	154	221	180	130	13	-	144	127	135	-	110	8	27	290	195	18
BV30 2.2B3	60	28	230	25	150	300	270	191	268	245	190	14	-	188	158	166	-	110	8	31	320	215	25
BV30 3.0B3	60	28	230	25	150	300	270	191	268	245	190	14	-	188	158	166	-	110	8	31	320	215	25
BV30 4.0B3	60	28	230	25	150	300	270	191	268	245	190	14	-	188	158	166	-	110	8	31	340	240	25
BV50 5.5B3	70	38	250	33	200	365	290	201	319	315	225	18	-	-	192	194	-	110	10	41	395	275	30
BV50 7.5B3	70	38	250	33	200	365	290	201	319	315	225	18	-	-	192	194	-	110	10	41	435	275	30

DIMENSIONES TIPO B5 / DIMENSIONS FOR B5 MODEL



TYPE	B	D(j6)	C	G	G3	E	H	M	M1	N	O	O1	P	T	C1	KA	KB	KC	KD	KD1	KE	b	t	X	Y	Z
BV020.18B5	23	11	50	112.5	64.5	70	72	115	60	95	9	M6	140	3.5	46	71	111	78	110	110	85	4	12.5	200	120	10
BV050.25B5	30	14	40	107	74	80	90	130	77	110	9	M8	160	3.5	53	71	123	83	110	110	85	5	16	227	141	10
BV050.37B5																										
BV100.75B5	40	19	58	131	85.5	100	98	165	84	130	11	M8	200	3.5	60	79	140	103	120	120	110	6	21.5	268	160	15
BV201.1B5	40	24	-	147	95	98	207	165	-	130	11	-	200	3.5	-	-	124	109	135	-	110	8	27	265	195	15
BV201.5B5	50	24	-	188	115	126	241	165	-	130	11	-	200	3.5	-	-	144	127	135	-	110	8	27	290	195	18
BV302.2B5	60	28	-	208	131	150	270	215	-	180	15	-	250	4	-	-	188	158	166	-	110	8	31	320	215	25
BV303.0B5	60	28	-	208	131	150	270	215	-	180	15	-	250	4	-	-	188	158	166	-	110	8	31	320	215	25
BV304.0B5	60	28	-	208	131	150	270	215	-	180	15	-	250	4	-	-	188	158	166	-	110	8	31	340	240	25
BV505.5B5	70	38	-	244	131	200	-	265	-	230	19	-	300	5	-	-	-	192	194	-	110	10	41	395	275	30
BV507.5B5	70	38	-	244	131	200	-	265	-	230	19	-	300	5	-	-	-	192	194	-	110	10	41	435	275	30