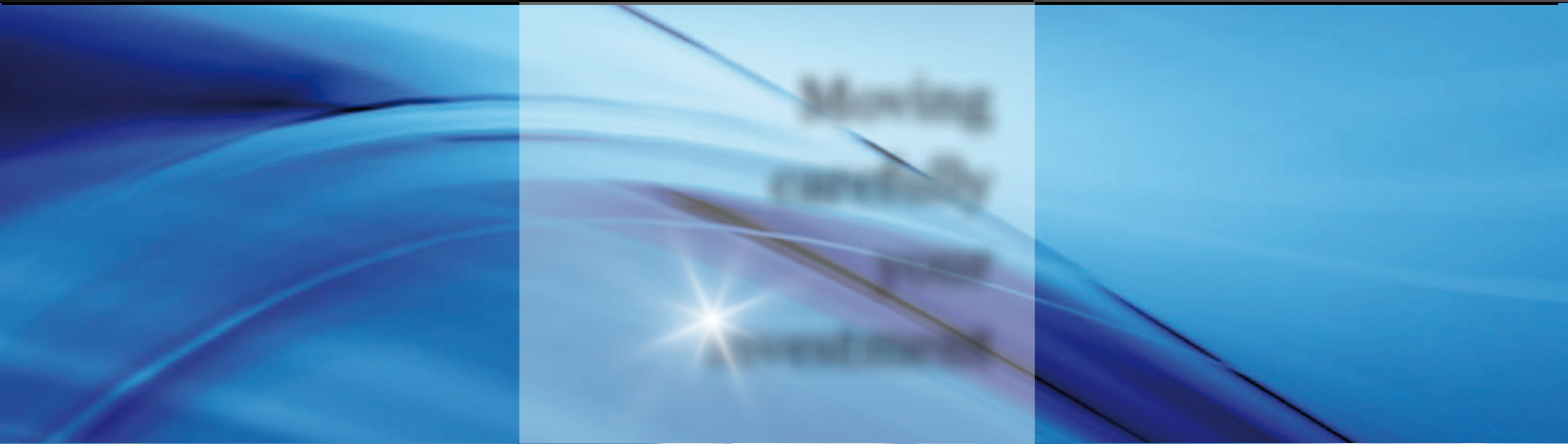


**BROWN  
ADVANCE**

Solar Application Line

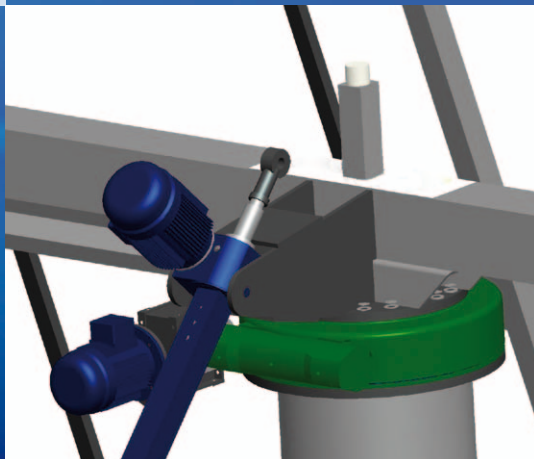




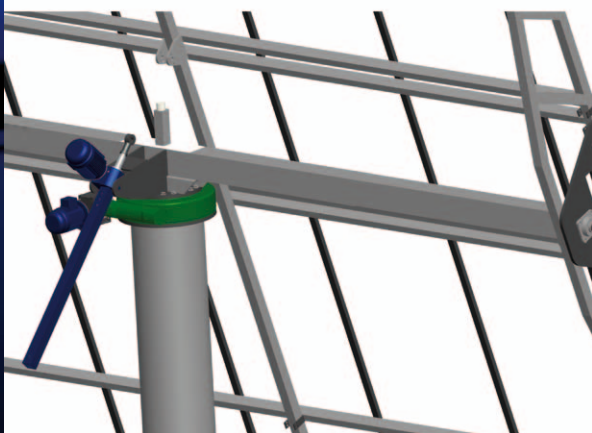
SCREW JACK



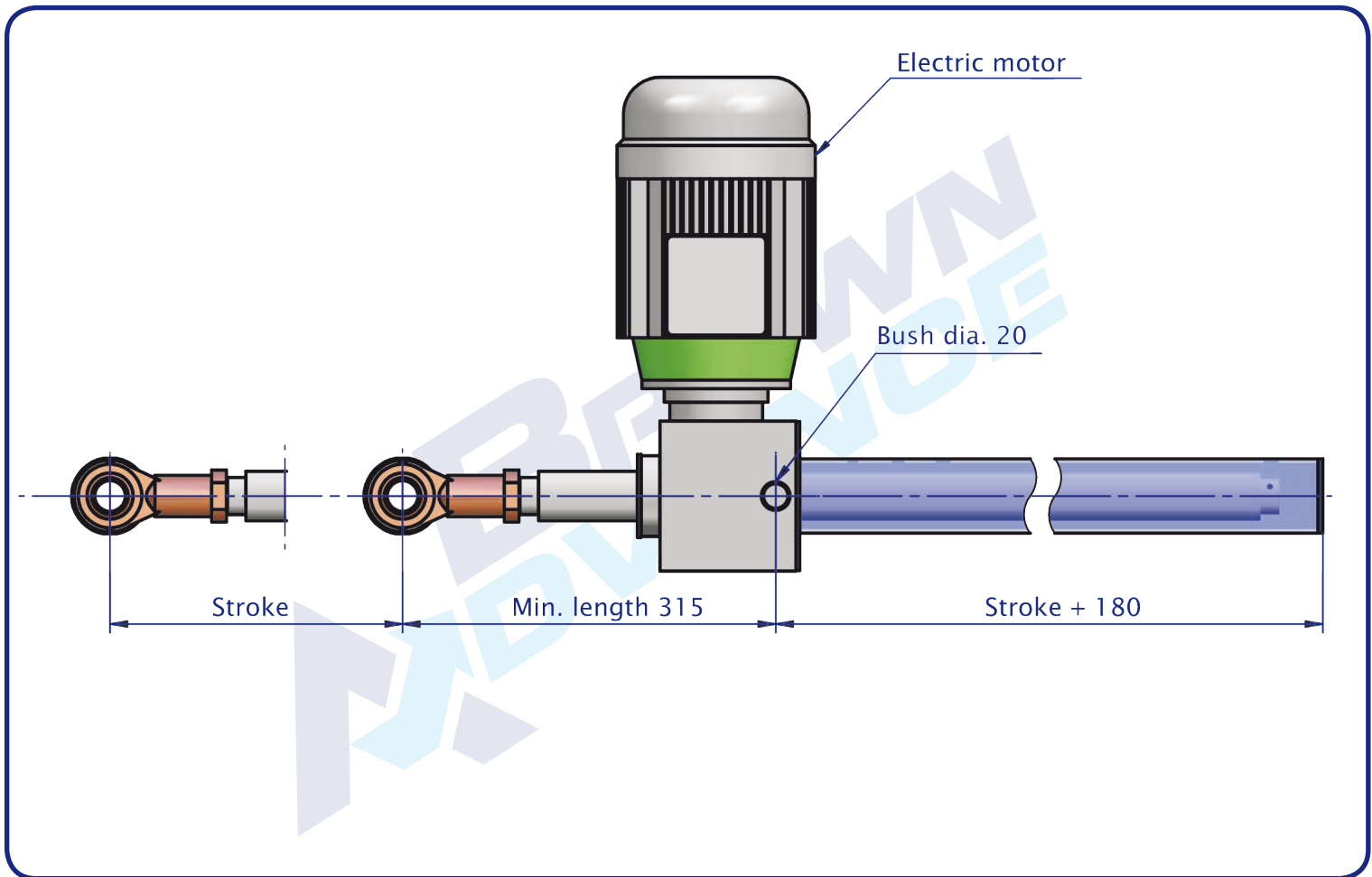
PLANETARY GEARBOX



2



### SCREW JACK BWS50



Lead screw	Dynamic force	Linear speed	Strokes (mm)
40x7	25KN	6,7 mm/sec	955 and 1480 mm

- 0.75Kw / 1500RPM AC electric motor.
- Gearbox Ratio  $i=25$
- Lead screw Stainless Steel AISI303.
- Rod end d.25mm.
- Front bellow protection made in EPDM.
- Gearbox made in cast iron GJS-400
- Rear tube protection.
- Static load 50KN.
- Operating temperature  $-40^{\circ}\text{C} / +80^{\circ}\text{C}$ .
- Gearbox lubricated with synthetic grease

## PLANETARY GEARBOX FOR SOLAR TRACKER



### Technical characteristics:

- Ratio 1/1500 in 4 stages.
- Output torque 2400Nm at 10.000 hours service
- Peak torque 4600Nm
- Efficiency 90%
- Input power 0,25KW at 1500rpm.
- Radial load on the output shaft 40KN.
- Splined output shaft
- Pinion on the output shaft modul 8 with 14 teeth
- Electric motor 0,25KW 4 poles 220/380V IP55 disc brake

This is the standard option applied for solar trackers.



Solar Application Line

Parque Empresarial Cervelló  
C/ Macabeo, 10  
08758 Cervelló (Barcelona) Spain  
Tel: +34 93 663 07 40  
Fax +34 93 663 20 57  
[www.brownadvance.com](http://www.brownadvance.com)  
[comercial@brownadvance.com](mailto:comercial@brownadvance.com)